

RSP-SLH-2-..

overvoltage arresters for data & signal lines

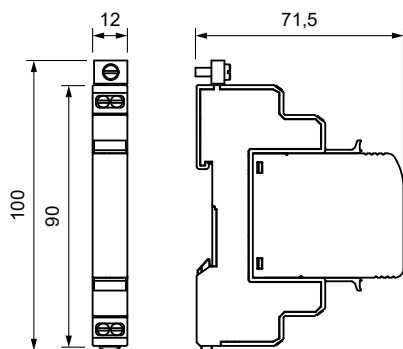


NEW

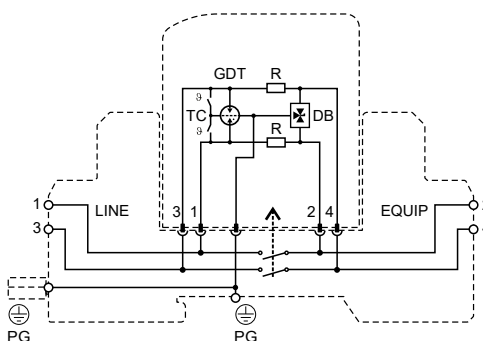
- IEC/EN category: D1/C1/C2/C3
- Application sites: data & signal lines
- Protection elements: BD + GDT
- Number of protected lines: 1 (2 conductors)
- Cover: modular (replaceable module)
- Compliance with standards: IEC/EN 61643-21, UL 497B 4th Edition

Type of arrester		RSP-SLH-2-5	RSP-SLH-2-12	RSP-SLH-2-24
Electrical data				
Rated operating voltage	U_n	5 V DC	12 V DC	24 V DC
Maximum continuous operating voltage	U_c	6 V DC	15 V DC	28 V DC
Rated load current at 25 °C	I_L		1 A	
C2 discharge current rated (8/20 μ s)	I_n		10 kA	
Discharge current max. (8/20 μ s)	I_{max}		20 kA	
D1 current impulse (10/350 μ s)	I_{imp}		2,5 kA	
Voltage protection level at C1 (500 V/250 A) (line-line)	U_p	< 22 V	< 42 V	< 70 V
Rated spark (line-ground), (line-line) overvoltage		7...10 V	16...21 V	31...37 V
Response time overvoltage protection	t_A		< 1 ns	
Thermal protection			yes	
Insulation resistance of the protection	R_{iso}	$\geq 6 \text{ k}\Omega$	$\geq 15 \text{ M}\Omega$	$\geq 28 \text{ M}\Omega$
Serial resistance per path	R		1,6...2 Ω	
Transverse capacitance	C		50 pF	
Cut-off frequency	f_G		30 MHz	
General data				
Ambient temperature (operating)	T_a		-40...+80 °C	
Cross section of cables connected to terminals			max. 4 mm ² (stranded)	
Terminal screw torque			max. 0,5 Nm	
Mounting			direct on 35 mm rail mount (EN 60715)	
Cover protection category			IP 20 (EN 60529)	
Cover material			thermoplastic; extinguishing degree V-0	
Dimensions (L x W x H)			100 x 12 x 71,5 mm	
Weight			52 g	

Dimensions



Connection diagram



Legend: DB (diode block), GDT (gas discharge tube), PG (protective grounding), R (resistor), TC (thermo-clip)