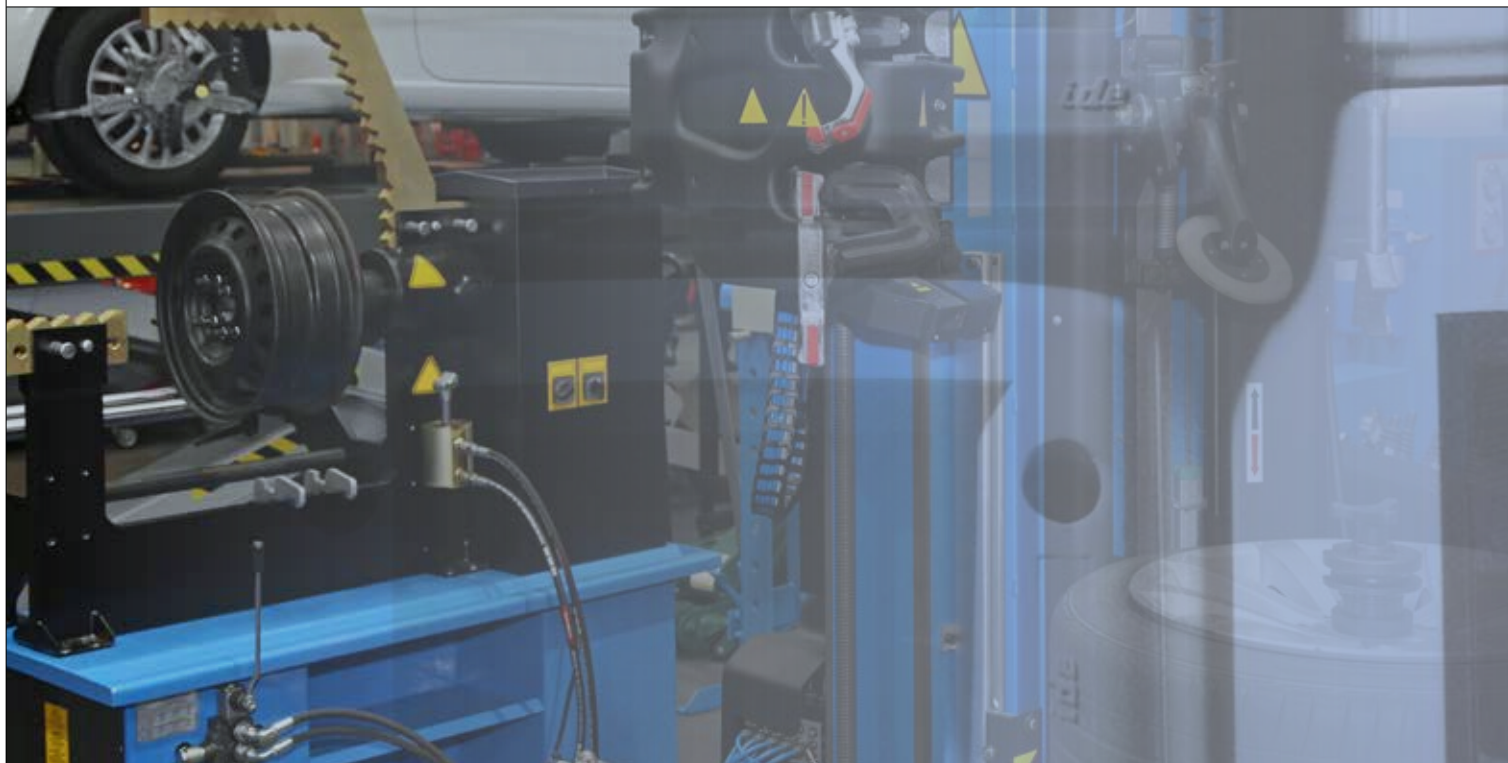


VERDI



IP40-IP55 Surface boxes and mechanisms

The VERDI series boxes and mechanisms are watertight terminal junction boxes manufactured with high-quality plastic. The wall-mounted enclosures may be IP40 or IP55, making them suitable for all types of indoor and outdoor installations. They have a flexible membrane that facilitates wiring, with sections of up to 6 mm, always guaranteeing perfect watertightness levels.

They include captive screws, and their ergonomic design makes for quick pressure installation.

The mechanisms are guaranteed for more than 40,000 manoeuvres and include special bases, industrial mechanisms, signalling, emergency and safety mechanisms, etc.

IP
40IP
55

CE



VERDI Enclosures Technical Specifications

- Degree of protection: IP40 / IP55.
- Resistance to impact: IK07.
- Glow wire resistance: 650 °C.
- Ball pressure test: 70 °C.
- Double insulation: Class II.

VERDI Mechanisms Technical Specifications

- Rated voltage: 250 V.
- Rated current: 10 A / 16 A / 20 A.
(20 A including fluorescent loads).
- Entry section: 4 mm².

VERDI Certifications

CE

Boxes: Compliant with 2014/35/EU.

Standards: UNE-EN 60670-1-22 and IEC 670 (as applicable).

Mechanisms: Compliant with the 2014/35/EU directive.

Standards: UNE-EN 60669-1 and IEC 60669-1
(as applicable).

IP40 or IP55 wall-mounted enclosures suitable for all types of indoor and outdoor installations

VERDI

IP40-IP55 surface boxes and mechanisms

IP40 mechanism boxes

Reference No.	No. of modules	Dimensions	Weight	IP	Type
		HEIGHT X WIDTH X DEPTH	KG		
45011	1 module	85x70x55	0.07	40	1M
45012	2 modules	85x70x55	0.07	40	2M
45013	3 modules	85x95x55	0.11	40	3M
45014	4 modules	85x142x55	0.14	40	4M
45016	6 modules	85x190x55	0.18	40	6M
45018	12 modules	157.4x185x78	0.32	40	12M

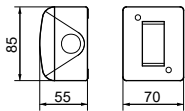
HALOGEN-FREE PLASTIC MATERIALS

ABS RAL 7035 grey.

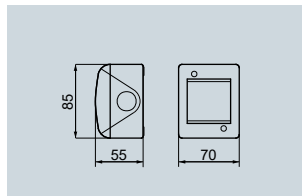
IP40 - Surface.



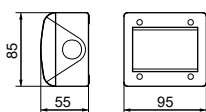
1 module
45011



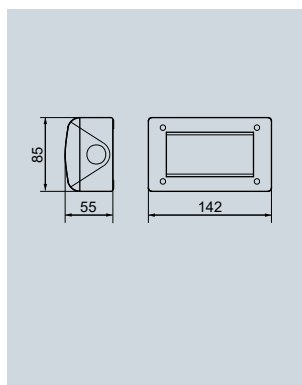
2 modules
45012



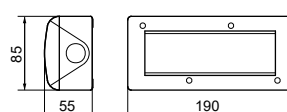
3 modules
45013



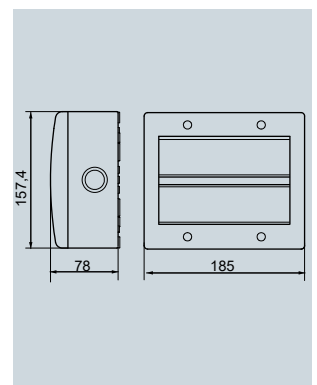
4 modules
45014



6 modules
45016



12 modules
45018



IP55 mechanism boxes

Reference No.	No. of modules	Dimensions	Weight	IP	Type
		HEIGHT X WIDTH X DEPTH	KG		
45001	1 module	85x70x63	0.11	55	1M
45002	2 modules	85x70x63	0.11	55	2M
45003	3 modules	85x95x63	0.13	55	3M
45004	4 modules	85x142x63	0.17	55	4M

HALOGEN-FREE PLASTIC MATERIALS

ABS RAL 7035 grey.

IP55 - Surface.



1 module
45001



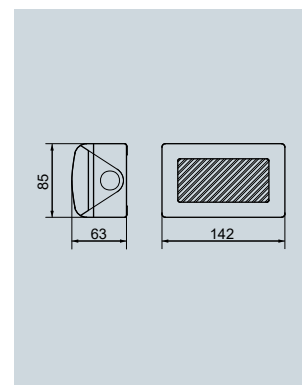
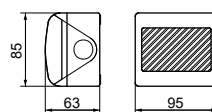
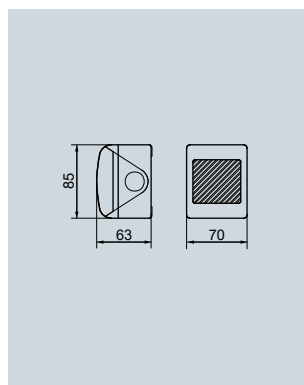
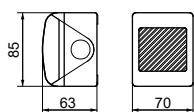
2 modules
45002



3 modules
45003



4 modules
45004





SWITCH



DOUBLE-ARROW SINGLE-POLE SWITCH



BELL BUTTON



DIMMER

Mechanisms

Reference No.	Description	Characteristics	Modules
45121	Single-pole switch	16 A - 250 V	1/2
45101	Single-pole switch (mechanism + key)	16 A - 250 V	1
45111	Single-pole light-up switch*	16 A - 250 V	1
45110	Double-pole switch	16 A - 250 V	1
45140	Double-pole switch with key	16 A - 250 V	1
45122	Single-pole switch	16 A - 250 V	1/2
45102	Single-pole switch	16 A - 250 V	1
45112	Single-pole light-up switch*	16 A - 250 V	1
45180	Double-arrow single-pole switch	10 A - 250 V	1
45181	Double-arrow double-pole switch	10 A - 250 V	1
45125	Single-pole pushbutton	16 A - 250 V	1/2
45105	Single-pole pushbutton	10 A - 250 V	1
45115	Single-pole light-up pushbutton*	10 A - 250 V	1
45165	Single-pole pushbutton with key	16 A - 250 V	1
45155	Single-pole bell pushbutton w/light-up board*	16 A - 250 V	2
45104	Crossing	16 A - 250 V	1
45400	Dimmer	100-500 W 230 V / 60-300 W 127 V	1

* Lamp Ref. 45425 must be requested to obtain the full set (page 373).

Covers for mechanisms

Reference No.	Description	Characteristics	Modules
45401	Blanking cover	-	1/2
45402	Blanking cover	-	1



SCHUKO-TYPE
PLUGS



SIGNALLING
LIGHT



EMERGENCY
PUSHBUTTON



EMERGENCY LIGHT

Sockets

Reference No.	Description	Characteristics	Modules
45201	Schuko-type socket	2P+E - 16 A - 250 V	2
45200	Red Schuko-type socket	2P+E - 16 A - 250 V	2
45202	Safety screen socket	2P+E - 16 A - 250 V	-
45231	4-pin phone socket	RJ11 connector	1
45233	8-pin IT socket	RJ45 connector AMP Cat. 5	1
45250	8-pin IT socket	RJ45 connector 3M Cat.6	1
46240	9.5-mm TV socket	Frequency 40/862 MHz	-

Signalling

Reference No.	Description	Characteristics	Modules
45301	Transparent signalling light*	-	-
45302	Green signalling light*	-	-
45303	Red signalling light*	-	-
45425	Bulb for mechanisms with cables	130V	-
45310	LED emergency bulb 3-h life	1.2mA - 230V	2

* Lamp Ref 45425 or 45310 must be requested.

Emergency

Reference No.	Description	Characteristics	Modules
45175	Red emergency pushbutton	20A - 250V	2