

ORO



IP40 Flush-fit distribution boxes

The ORO series flush-fit distribution boxes are manufactured with the highest-quality halogen-free plastic materials.

With a modular capacity from 4 to up to 36 models, they have been designed exclusively for indoor installation in the tertiary and residential sector (brick walls).

IP
40

CE



ORO

ORO Technical Specifications

- **Degree of protection:** IP40.
- **Resistance to impact:** IK08.
- **Glow wire resistance:**
 - Brick walls: 650 °C.
 - Hollow walls (PH): 850 °C.
- **Ball pressure test:** 70 °C.
- **Ambient temperature range:** -25 °C / +40 °C.
- **Maximum operating voltage:** 1000 V AC/1500 V DC.
- **Double insulation:** Class II.

ORO Certifications

CE

Compliant with the Low Voltage Directive 2014/35/EU.
Standards: UNE-EN 62208 and UNE-EN 61439-1
(as applicable).

Intended exclusively for indoor installation in the tertiary and residential sector: apartments, offices, hotels, etc.

ORO

IP40 flush-fit distribution boxes



Product series

- Flush-fit boxes with a capacity of 4, 8, 12, 24 and 36 modules with opaque or transparent window. Brick walls.
- Flush-fit boxes with a capacity of 42 modules with opaque window. Brick walls.
- Flush-fit boxes with a capacity of 42 and 84 modules with opaque window. Hollow walls.

Material

- Halogen-free plastic materials.
- Base, frame and opaque window: ABS RAL 9003 white.
- Transparent window in tinted PC, with UV protection.
- DFF references with base in PS.

Supply

- Supplied in individual packaging. When several items are sent together, they are bundled together with transparent film. They are supplied with all the elements assembled, except for the ones supplied in the accessory bag.
- Accessory bag:
 - Hermetic caps.
 - Frame-base locking screws.
 - Grey module cover (6 modules).
 - Module identification strips.
 - Assembly instructions.

Window opening and closing by vertical rotation based on an exclusive design that adapts to settings where decoration is highly important



Base

- The flush-fit bases have a 5-mm-wide horizontal rib and reinforcement ribs on the inside and on the outside, thus preventing possible deformations caused by the force applied during flush-fitting.
- The top and bottom sides have knock-outs with the standard metric M25, M32 and M40 diameters so that they can be quickly removed with a screwdriver for cable and pipe entry.
- There is an arrow on the bottom of the base that indicates correct box position; this ensures that the space between the rails is suitable in order to guarantee that power dissipates inside the enclosure correctly, in accordance with the regulations.
- For two rails, the top space must be greater than 115 mm; for three rails the top space must be greater than 135 mm. The bottom space should always be greater than 100 mm.
- The bottom of the base is fitted with supports for attaching neutral and earth bars, as well as the housings for attaching the DIN rail.

Frame-base closing

- The top and bottom sides of the enclosure have clips on the frame and their corresponding housings on the base. With the help of these clips, and applying a little pressure, the frame-base assembly can easily be opened and closed. This is a provisional closure during the installation period. The box is definitively closed by means of four 4x13 screws in the housings located inside the window gap. These screws are supplied in the accessory bag.
- There is a 10-mm frame all around the cover to conceal possible flaws or damage caused during flush-fitting.
- The 4-modules box has a special closure that seals the box, for which purpose the 25975 sealable kit should be ordered.



Window

- RAL 9003 white opaque windows.
- Transparent window in tinted PC, with UV protection.
- Opening and closing by means of vertical rotation.
- When the windows are opened fully out, they remain anchored in order to facilitate switch control and handling.
- The windows are wave-shaped, giving them a very attractive look, and they adapt perfectly to places where decoration is highly important.

DIN rail attachment

- The sockets have grooved housings for screw-less DIN rail assembly.
- For boxes with two and three rows (24 and 36 modules), the rails are supplied in frame form. This keeps the whole unit assembled comfortably on the workbench, and it can then be moved to the enclosure for the final assembly.

IP40 flush-fit distribution boxes. Brick walls

Reference No.		No. of modules	External dimensions	Dimensions of the flush-fit gap	Weight	Power dissipation according to temperature increase °C P(W)*					Type
OPAQUE WINDOW	TRANSP. WINDOW					20	25	30	35	40	
			HEIGHT X WIDTH X DEPTH		KG						
BM4PO	BM4PT	1x4 DIN rail	228x120x97	228x120x65	0.40	4.1	5.1	6.2	7.2	8.2	40E04
BM8PO	BM8PT	1x8 DIN rail	248x190x97	228x190x65	0.62	5.9	7.4	8.8	10.3	11.8	40E08
BM12PO	BM12PT	1x12 DIN rail	248x283x97	228x263x65	0.79	7.8	9.7	11.6	13.6	15.5	40E12
BM24PO	BM24PT	2x12 (24) DIN rail	373x283x97	353x263x65	1.30	11.5	14.4	17.3	20.2	23.1	40E24
BM36PO	BM36PT	3x12 (36) DIN rail	517x283x97	497x263x65	1.87	15.9	19.9	23.9	27.8	31.8	40E36

HALOGEN-FREE PLASTIC MATERIALS

BM4PO: sealable by ordering the 25975 kit.

Frame, base and opaque window in white ABS RAL 9003.

Transparent window in tinted PC, with UV protection.

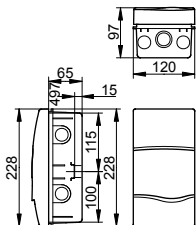
IP40 - Flush-fit.

* Calculations obtained according to the CEI 890:1997 standard (including Corrigendum 1998). Method of temperature-rise assessment by extrapolation for partially type-tested assemblies (PTTA) of low-voltage switchgear and control gear.



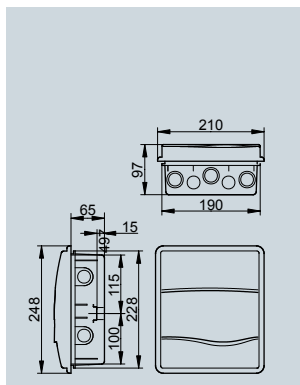
**1x4 modules
BM4PO**

TOP: 2xM25-1xM25/32
BOTTOM: 2xM25-1xM25/32
LEFT: 2xM25
RIGHT: 2xM25



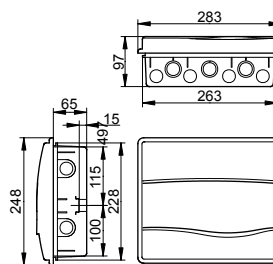
**1x8 modules
BM8PO**

TOP: 2xM25-3xM25/32
BOTTOM: 2xM25-3xM25/32
LEFT: 2xM25
RIGHT: 2xM25



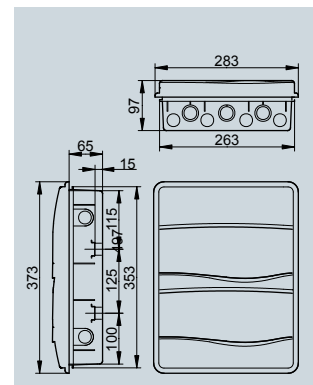
**1x12 modules
BM12PO**

TOP: 4xM25-2xM25/32-1xM32/40
BOTTOM: 4xM25-2xM25/32-1xM32/40
LEFT: 2xM25
RIGHT: 2xM25



**2x12 (24) modules
BM24PO**

TOP: 4xM25-2xM25/32-1xM32/40
BOTTOM: 4xM25-2xM25/32-1xM32/40
LEFT: 2xM25
RIGHT: 2xM25



IP40 flush-fit distribution boxes. With neutral and earth bars. Brick walls

Reference No.		No. of modules	External dimensions	Dimensions of the flush-fit gap	Weight	Power dissipation according to temperature increase °C P(W)*					Type	
OPAQUE WINDOW	TRANSP. WINDOW					20	25	30	35	40		
			HEIGHT X WIDTH X DEPTH			KG						
BM4PO/RR	BM4PT/RR	1x4 DIN rail	228x120x97	228x120x65	0.47	4.1	5.1	6.2	7.2	8.2	40E04	
BM8PO/RR	BM8PT/RR	1x8 DIN rail	248x190x97	228x190x65	0.70	5.9	7.4	8.8	10.3	11.8	40E08	
BM12PO/RR	BM12PT/RR	1x12 DIN rail	248x283x97	228x263x65	0.89	7.8	9.7	11.6	13.6	15.5	40E12	
BM24PO/RR	BM24PT/RR	2x12 (24) DIN rail	373x283x97	353x263x65	1.46	11.5	14.4	17.3	20.2	23.1	40E24	
BM36PO/RR	BM36PT/RR	3x12 (36) DIN rail	517x283x97	497x263x65	2.06	15.9	19.9	23.9	27.8	31.8	40E36	

HALOGEN-FREE PLASTIC MATERIALS

Ref. BM4PO/RR sealable by ordering the 25975 kit.

Frame, base and opaque window in white ABS RAL 9003.

Transparent window in tinted PC, with UV protection.

IP40 - Flush-fit.

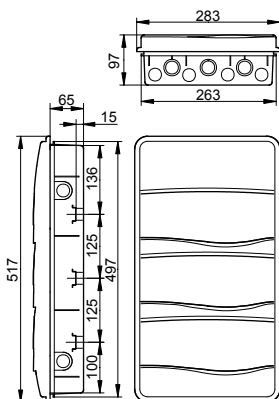
/RR: With neutral and earth bars.

* Calculations obtained according to the CEI 890:1997 standard (including Corrigendum 1998). Method of temperature-rise assessment by extrapolation for partially type-tested assemblies (PTTA) of low-voltage switchgear and control gear.



3x12 (36) modules BM36PO

TOP: 4xM25-2xM25/32-1xM32/40
 BOTTOM: 4xM25-2xM25/32-1xM32/40
 LEFT: 2xM25
 RIGHT: 2xM25



IP40 flush-fit distribution box. Brick walls

Reference No.	No. of modules	External dimensions	Dimensions of the flush-fit gap
			HEIGHT X WIDTH X DEPTH
DFF42PO	3x14 (42)	532x334x93	480x300x72

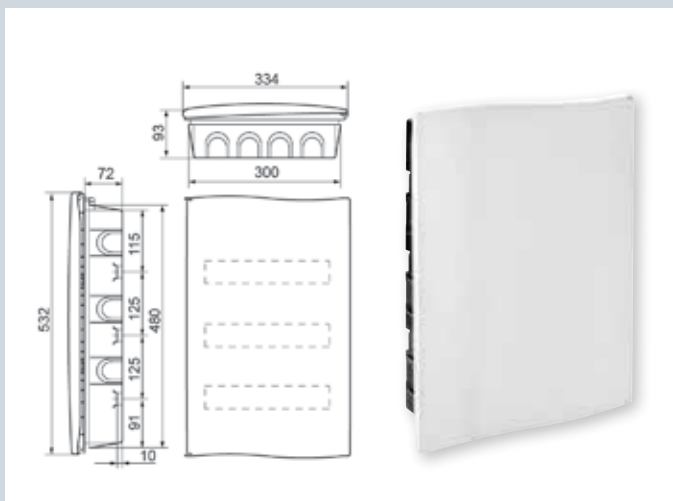
HALOGEN-FREE PLASTIC MATERIALS

Frame and window in white ABS RAL 9003.

Base in black PS.

IP40 - Flush-fit.

3x14 (42) modules DFF42PO



ORO ACCESSORIES

IP40 flush-fit distribution boxes accessories

NEW

IP40 flush-fit distribution boxes. Hollow walls

Reference No.	No. of modules	External dimensions	Dimensions of the flush-fit gap	Weight	Power dissipation according to temperature increase °C P(W)*					Type
					20	25	30	35	40	
DFF42PO/PH	3x14 (42)	532x334x105	500x305x72	2.47	21.3	26.6	31.9	37.2	42.5	DFF42
DFF84PO/PH	6x14 (84)	532x668x105	500x641x72	4.94	39.9	49.8	59.8	69.8	79.7	DFF84

HALOGEN-FREE PLASTIC MATERIALS

Frame and window in white ABS, RAL 9003.

Base in grey high-impact PS.

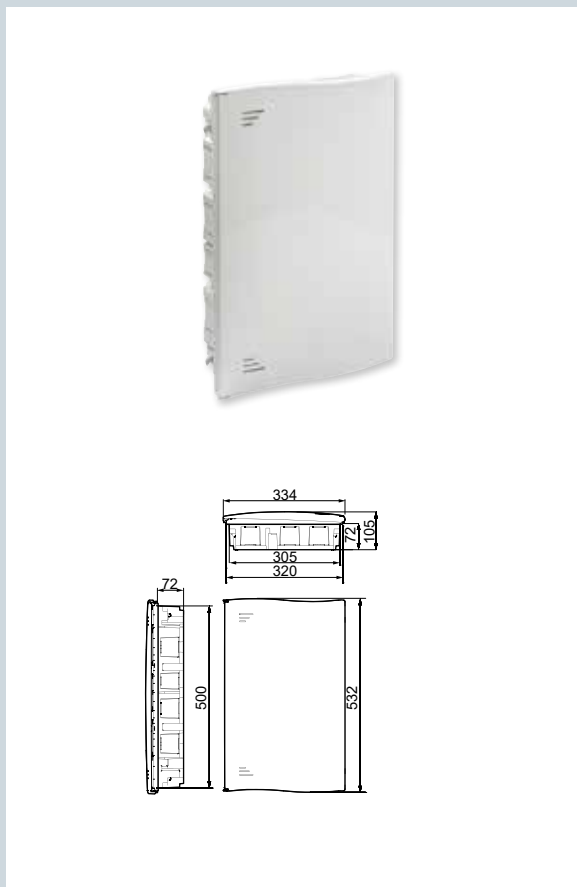
IP40 - Flush-fit.

/PH: For hollow walls. Glow wire resistance: 850 °C.

* Calculations obtained according to the CEI 890:1997 standard (including Corrigendum 1998). Method of temperature-rise assessment by extrapolation for partially type-tested assemblies (PTTA) of low-voltage switchgear and control gear.

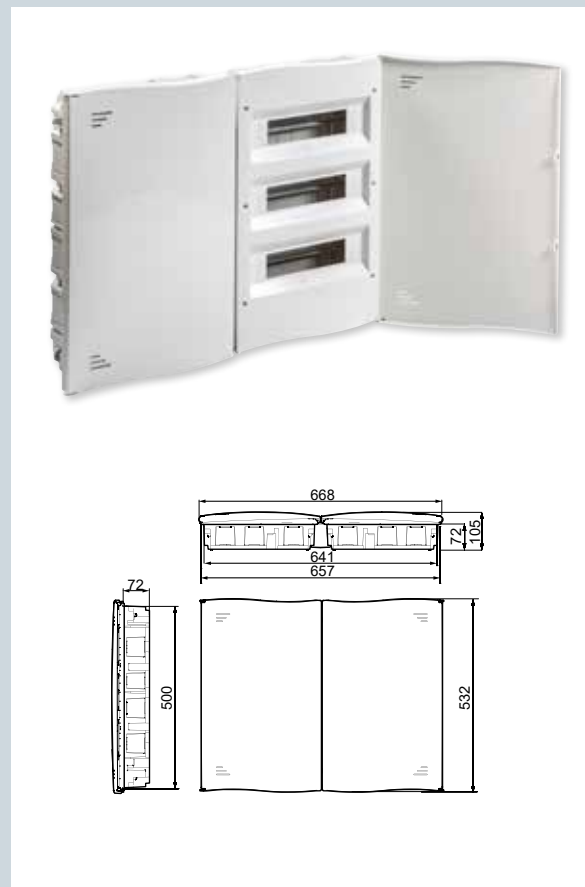
3x14 (42) modules

DFF42PO/PH



6x14 (84) modules

DFF84PO/PH



ORO Accessories

Hollow walls

	Ref.
Accessories bag for fitting (4 units)	22100
Accessories bag for joining (2 units)	22101



ORO Accessories



SEALABLE KIT
FOR 4-MODULE
ENCLOSURE.



WHITE MODULE COVER.



CLOSING SCREWS.



INSULATING BAR
SUPPORT.

Neutral and earth bars

In some markets, the technical regulations governing installation require neutral and earth conductors to be connected to a common busbar. The base of these boxes has specific supports for this purpose. The neutral and earth bars are assembled to the base by means of the guides located on the top and bottom walls by pressing slightly, with no need for screws.

They may be supplied as an accessory or they can be supplied already assembled by ordering the /RR references.

Neutral and earth bar structure

Ref.	Terminal		Cable section	
	N	E	NEUTRAL	EARTH
22016	4+2	4+2	2x(4-10 mm ²)+4x(2.5-6 mm ²)	2x(4-10 mm ²)+4x(2.5-6 mm ²)
22017	8+2	8+2	1x(10-25 mm ²)+1x(4-10 mm ²)+8x(2.5-6 mm ²)	1x(10-25 mm ²)+1x(4-10 mm ²)+8x(2.5-6 mm ²)
22018	12+2	12+2	1x(10-25 mm ²)+1x(4-10 mm ²)+12x(2.5-6 mm ²)	1x(10-25 mm ²)+1x(4-10 mm ²)+12x(2.5-6 mm ²)

Miscellaneous

	Ref.
Sealable kit for 4-module box	25975
4x13 frame-base closing screws	92611
White module cover (6 mod.)	77600

Neutral and earth bars

	Ref.
Support + neutral and earth bars (4+2 entries)	22016
Support + neutral and earth bars (8+2 entries)	22017
Support + neutral and earth bars (12+2 entries)	22018

Opaque windows

	Ref.
4 modules	76420
8 modules	76440
12-24-36 modules	76460

Transparent windows

	Ref.
4 modules	76790
8 modules	76800
12-24-36 modules	76760