



LINEAR

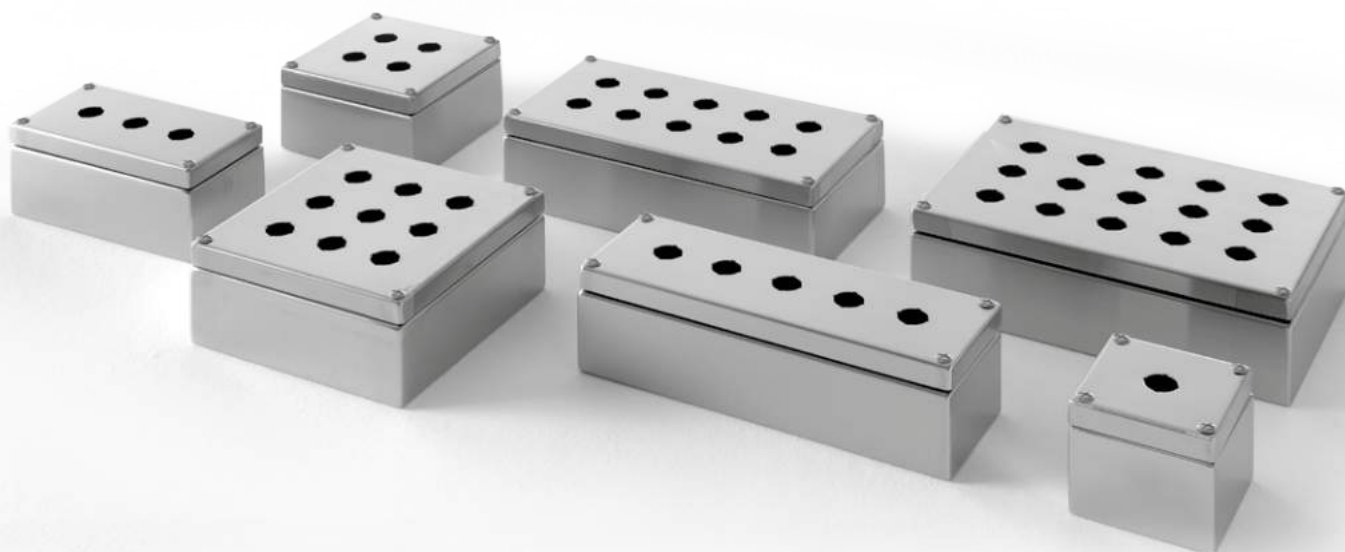


FD - JUNCTION BOXES IP66 E IP68

Ideal solution for installation in aggressive settings such as in the food, chemical and pharmaceutical industry or for applications in outdoor environments. **Upon request it is possible to supply the FD boxes tailormade according to customer's needs.**



FP – PUSHBUTTON BOXES IP66



DEGREE OF PROTECTION AND STANDARD REFERENCES

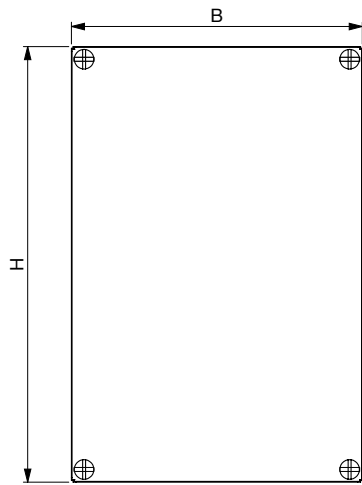
IP66 IK10 (FDS WIP68) / NEMA TYPE 1, 12, 4, 4X

89/392/EEC

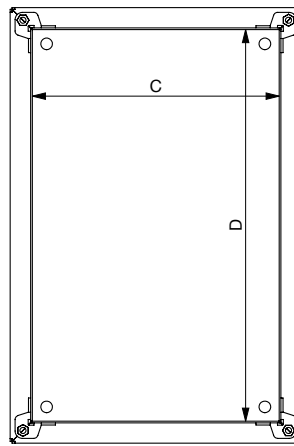
EN 62208 : 2011

UL 508 A / NEMA STANDARD PUBLICATION 250

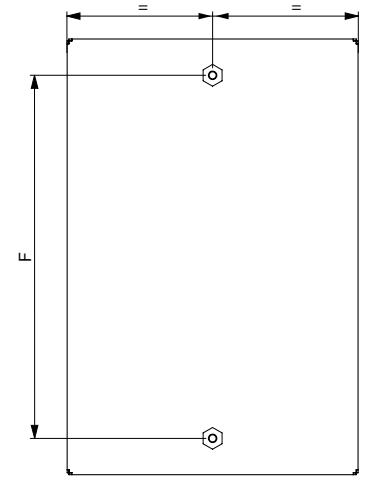
EN 60529/09.200 / EN 50102/05.96



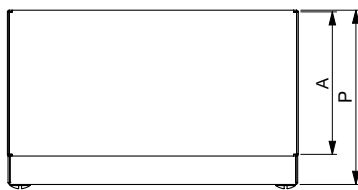
Front view



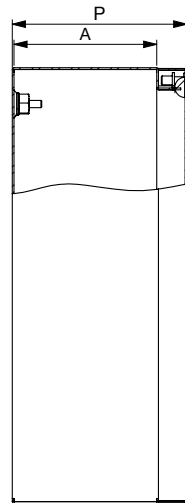
Front view without lid



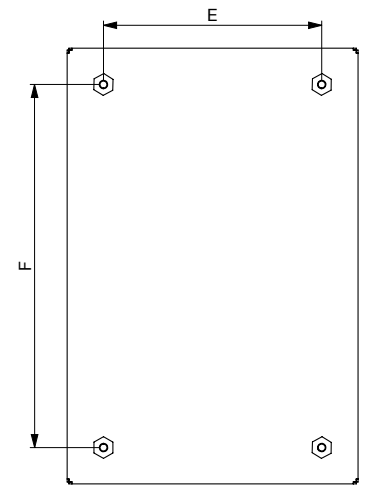
Rear view



View from top



Side view

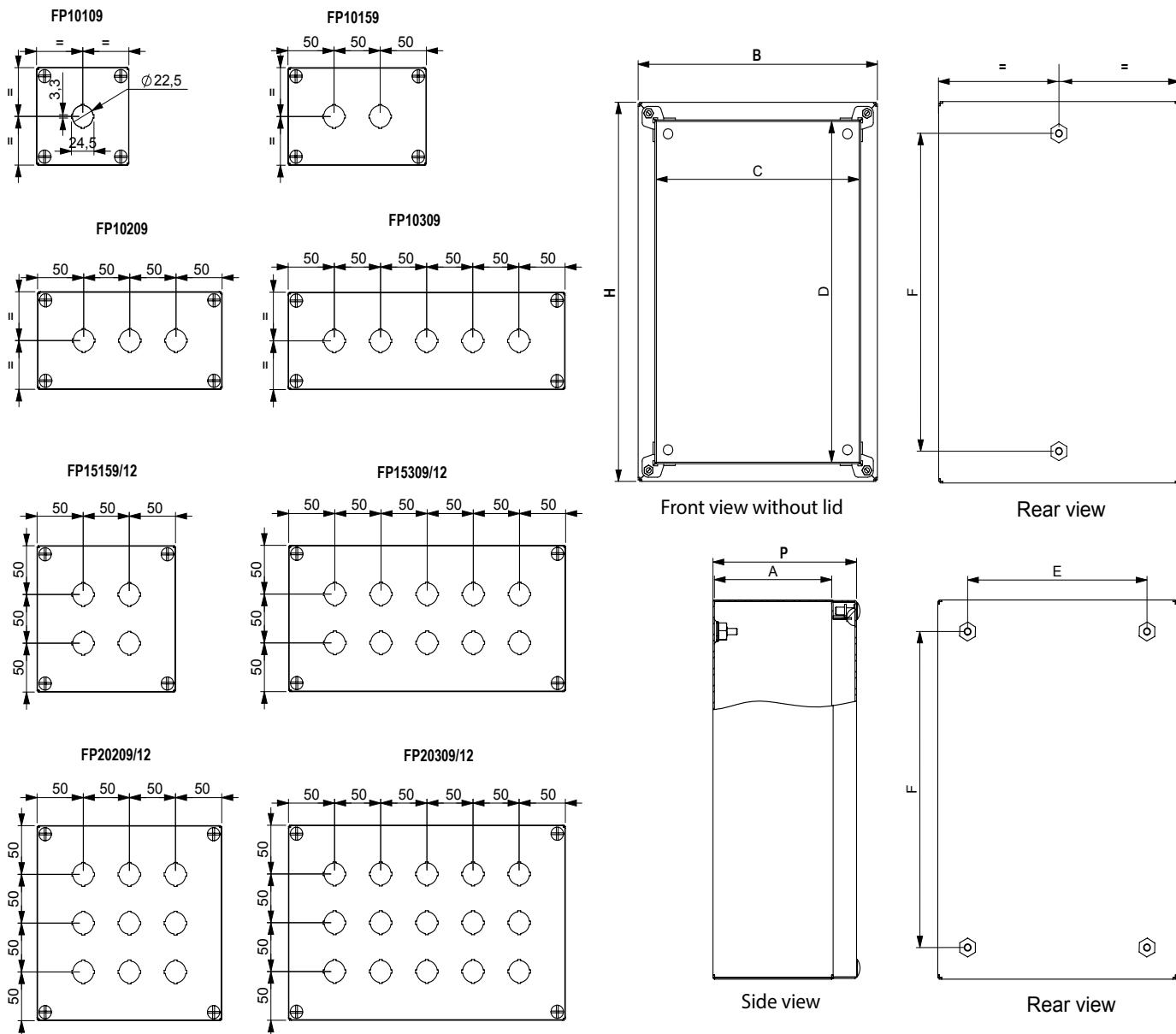


Rear view

TECHNICAL DETAILS

CODE (IP66)	CODE (IP68)	Dimensions			Volume m ³	Weight Kg	Width available for openings on the side			N° Rear fixings	N° Cover fasteners	Distance of wall fixings		Mounting plate dimensions		Mounting plate code	IP66 heat load dissipation	IP68 heat load dissipation
		B	H	P			A	C	D			E	F	G	I			
FD10109	FDS10109W	100	100	90	0,001	0,704	70,5	69,6	69,6	2	4	-	50	-	-	-	5W	18,5W
FD10159	FDS10159W	100	150	90	0,001	0,946	70,5	69,6	119,6	2	4	-	100	65	115	PIL1015G	6,5W	23W
FD10209	FDS10209W	100	200	90	0,002	1,177	70,5	69,6	169,6	2	4	-	150	65	165	PIL1020G	8W	27W
FD15159	FDS15159W	150	150	90	0,002	1,232	70,5	119,6	119,6	2	4	-	100	115	115	PIL1515G	8W	28W
FD151512	FDS151512W	150	150	120	0,003	1,419	100,5	119,6	119,6	2	4	-	100	115	115	PIL1515G	9,5W	32W
FD15309	FDS15309W	150	300	90	0,004	2,101	70,5	119,6	269,6	2	4	-	250	115	265	PIL1530G	12,5W	43W
FD153012	FDS153012W	150	300	120	0,005	2,376	100,5	119,6	269,6	2	4	-	250	115	265	PIL1530G	13,5W	48W
FD20209	FDS20209W	200	200	90	0,004	1,870	70,5	169,6	169,6	4	4	150	150	165	165	PIL2020G	11,5W	40W
FD202012	FDS202012W	200	200	120	0,005	2,112	100,5	169,6	169,6	4	4	150	150	165	165	PIL2020G	12,5W	44W
FD20309	FDS20309W	200	300	90	0,005	2,552	70,5	169,6	269,6	4	4	150	250	165	265	PIL2030G	14,5W	51W
FD203012	FDS203012W	200	300	120	0,007	2,860	100,5	169,6	269,6	4	4	150	250	165	265	PIL2030G	16W	56W
FD204012	FDS204012W	200	400	120	0,010	3,608	100,5	169,6	369,6	4	4	150	350	165	365	PIL2040G	19W	67W
FD303012	FDS303012W	300	300	120	0,011	3,817	100,5	269,6	269,6	4	4	250	250	265	265	PIL3030G	20W	70W
FD304015	FDS304015W	300	400	150	0,018	5,214	130,5	269,6	369,6	4	4	250	350	265	365	PIL3040G	26W	90W
FD404015		400	400	150	0,024	6,446	130,5	369,6	369,6	4	4	350	350	365	365	PIL4040G	30W	-
FD406015*		400	600	150	0,036	9,020	130,5	369,6	569,6	4	6	350	550	357	565	PIL4060G	43W	-
FD606020*		600	600	200	0,072	13,651	180,5	569,6	569,6	4	8	550	550	557	565	PIL6060G	53W	-

*) box not certifiable by UL, B=Base H=Height P=Depth



TECHNICAL DETAILS

CODE (IP66)	Dimensions			Volume m ³	Weight Kg	Available width for opening on the side			Accessible area through door		N° of rear fixin	N° of lid fasteners	Distance of wall fixing		N° holes on the lid	Heat load dissipation
	B	H	P			A	C	D	E	F						
FP10109	100	100	90	0,001	0,704	70,5	69,6	69,6	2	4	-	50	1	5W		
FP10159	100	150	90	0,001	0,946	70,5	69,6	119,6	2	4	-	100	2	6,5W		
FP10209	100	200	90	0,002	1,177	70,5	69,6	169,6	2	4	-	150	3	8W		
FP10309	100	300	90	0,003	1,232	70,5	69,6	269,6	2	4	-	250	5	12,5W		
FP15159	150	150	90	0,002	1,419	70,5	119,6	119,6	2	4	-	100	4	8W		
FP151512	150	150	120	0,003	2,101	100,5	119,6	119,6	2	4	-	100	4	9,5W		
FP15309	150	300	90	0,004	2,376	70,5	119,6	269,6	2	4	-	250	10	12,5W		
FP153012	150	300	120	0,005	1,870	100,5	119,6	269,6	2	4	-	250	10	13,5W		
FP20209	200	200	90	0,004	2,112	70,5	169,6	169,6	4	4	150	150	9	11,5W		
FP202012	200	200	120	0,005	2,552	100,5	169,6	169,6	4	4	150	150	9	12,5W		
FP20309	200	300	90	0,005	2,860	70,5	169,6	269,6	4	4	150	250	15	14,5W		
FP203012	200	300	120	0,007	3,608	100,5	169,6	269,6	4	4	150	250	15	16W		



DIN RAIL SUPPORT BRACKET

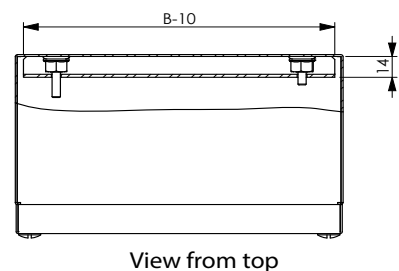
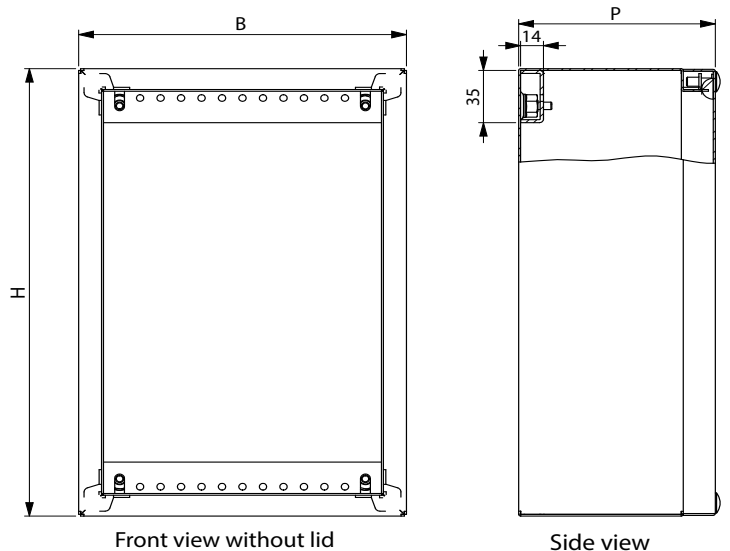
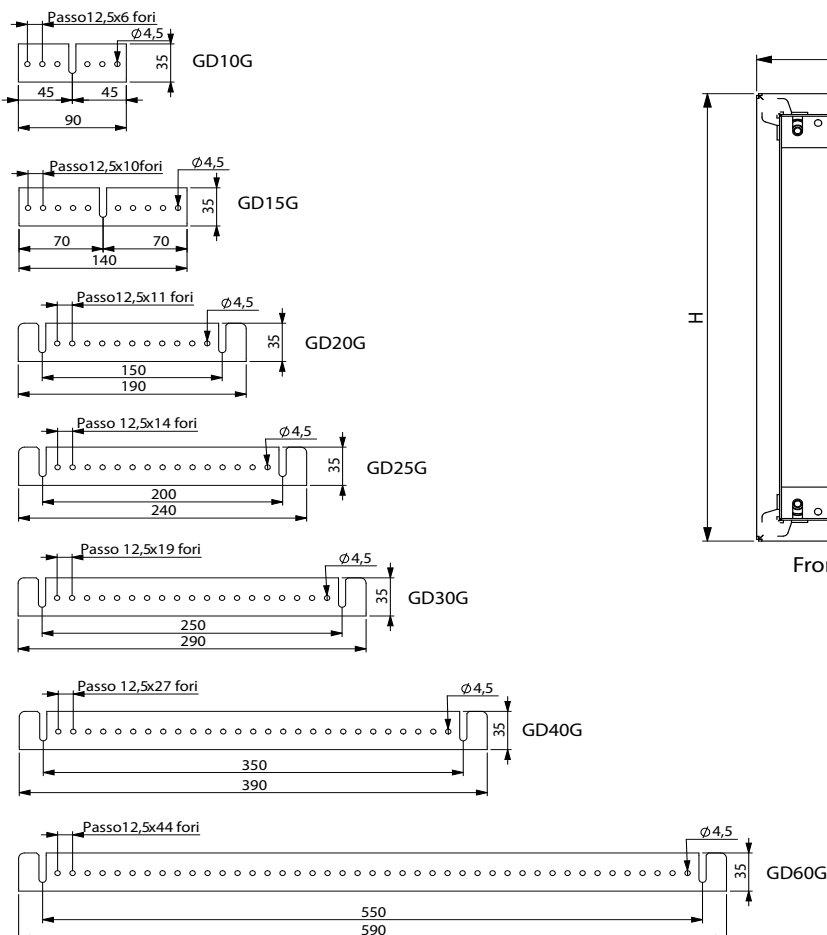
Suitable for fixing the DIN rails inside push-button panels and junction boxes. 12.5mm spaced holes, 4.5mm self-tapping screw for quick fixing.



CODES	
CODES	CODES RIF. FD
GD10G	FD10109
GD10G	FD10159
GD10G	FD10209
GD15G	FD15159
GD15G	FD151512
GD15G	FD15309
GD15G	FD153012
GD20G	FD20209
GD20G	FD202012
GD20G / GD30G	FD20309
GD20G / GD30G	FD203012
GD20G / GD40G	FD204012
GD30G	FD303012
GD30G / GD40G	FD304015
GD40G	FD404015
GD40G / GD60G	FD406015
GD60G	FD606020

* on request AISI 304L or AISI 316L.
change the last letter of the code:
G = FeZn-galvanized steel (standard)
H = AISI 304L
L = AISI 316L

Technical drawings



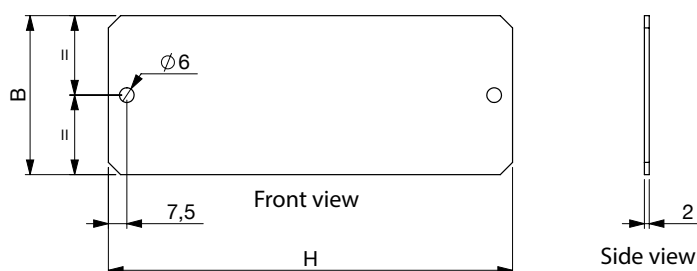
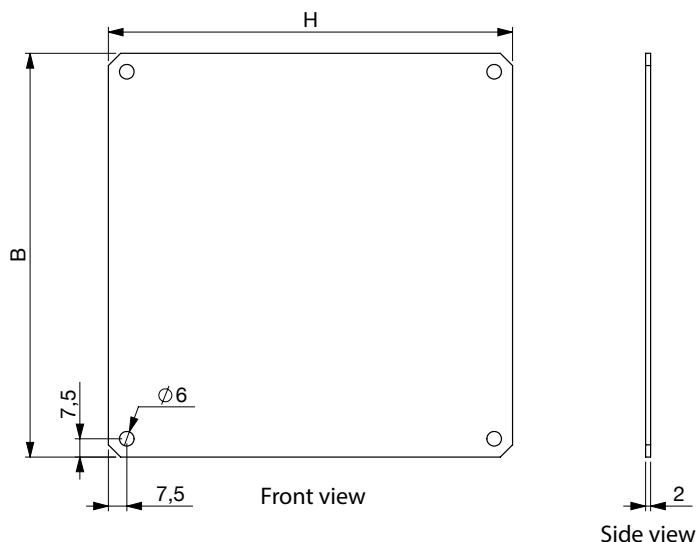


MOUNTING PLATE

Suitable for fixing instrumentation inside push-button boxes and junction boxes.



Technical drawings



*on request AISI 304L or AISI 316L
change the last letter of the code:
G = FeZn-galvanized sheet (standard)
H = AISI 304L
L = AISI 316L

TECHNICAL DETAILS

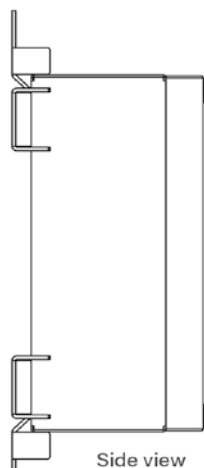
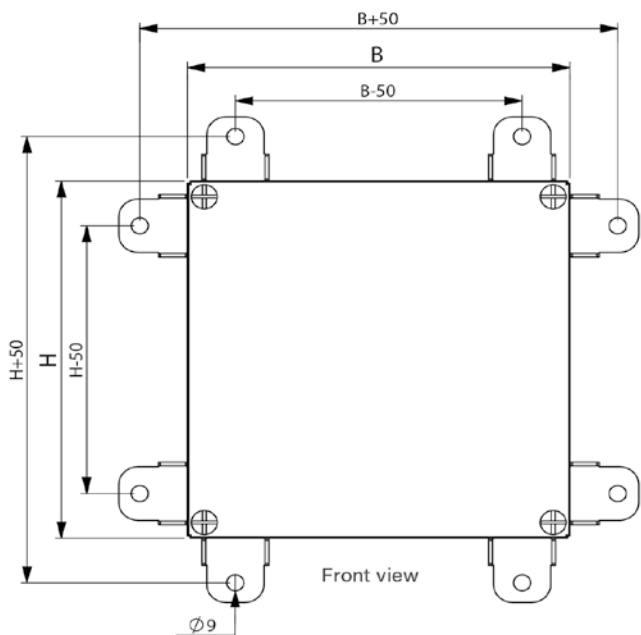
CODE RIF.FD	CODE RIF.FP	Mounting plate dimension		Mounting plate code
		B	H	
FD10109	FP10109	-	-	-
FD10159	FP10159	65	115	PIL1015G
FD10209	FP10209	65	165	PIL1020G
-	FP10309	65	265	PIL1030G
FD15159	FP15159	115	115	PIL1515G
FD151512	FP151512	115	115	PIL1515G
FD15309	FP15309	115	265	PIL1530G
FD153012	FP153012	115	265	PIL1530G
FD20209	FP20209	165	165	PIL2020G
FD202012	FP202012	165	165	PIL2020G
FD20309	FP20309	165	265	PIL2030G
FD203012	FP203012	165	265	PIL2030G
FD204012	-	165	365	PIL2040G
FD303012	-	265	265	PIL3030G
FD304015	-	265	365	PIL3040G
FD404015	-	365	365	PIL4040G
FD406015	-	357	565	PIL4060G
FD606020	-	557	565	PIL6060G



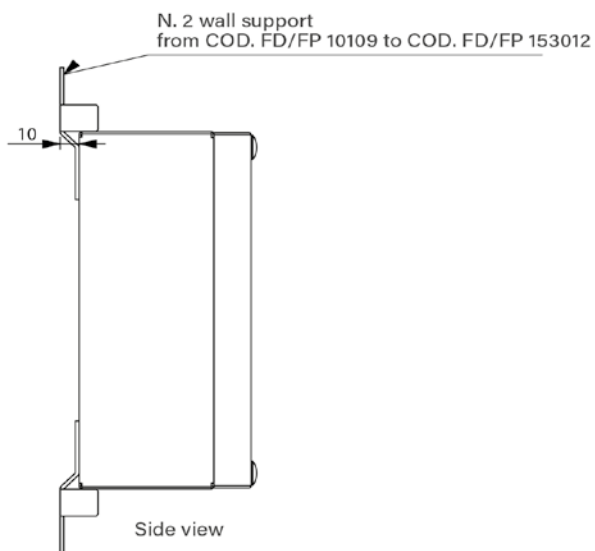
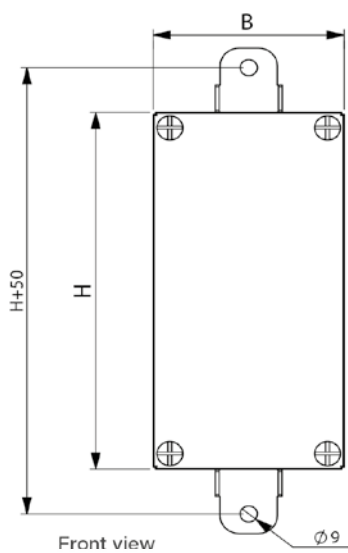
WALL MOUNTING BRACKETS

(Flat, raised and connected to ground) Kit including plates and complete with screws for wall mounting.

Technical drawings

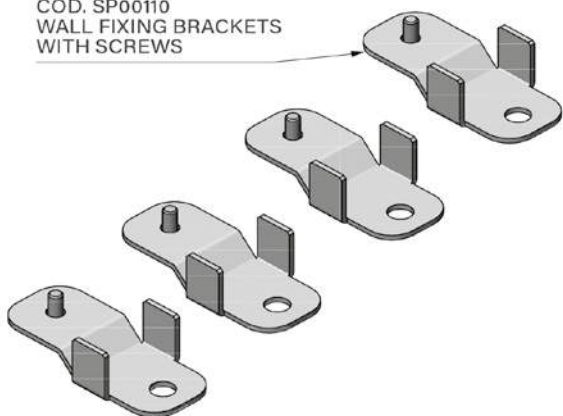


N. 4 wall support
from COD. FD/FP 20209 to COD. FD 606020



N. 2 wall support
from COD. FD/FP 10109 to COD. FD/FP 153012

COD. SP00110
WALL FIXING BRACKETS
WITH SCREWS



COD. SP000120
WALL FIXING BRACKETS
WITH EARTHING

