



**CHARACTERISTICS**

Box and lid manufactured from sheet steel. Box provided with holes for fixing optional hinges and lid fixed with captive screws.

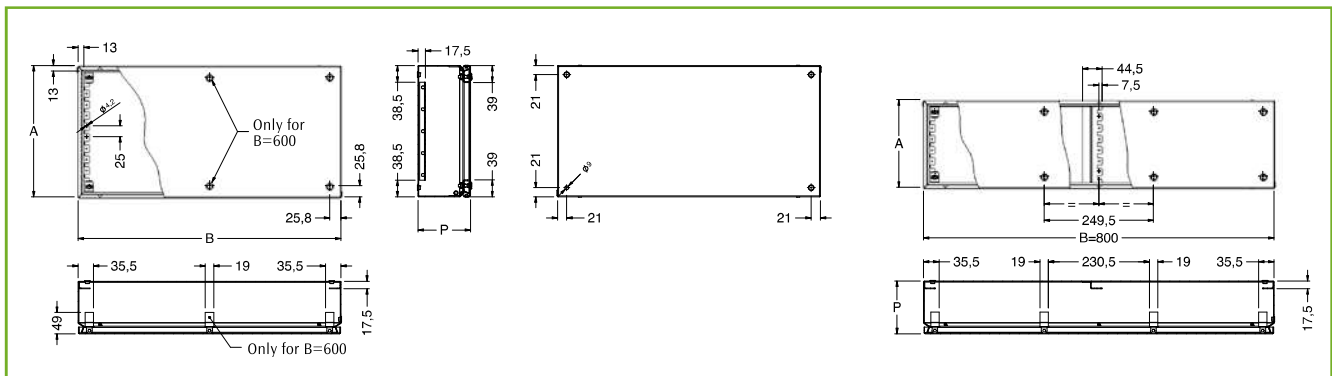
**PAINT FINISH**

ETA standard finishing cycle: paint-based primer with deposition by cathoporesis with epoxy resin and finishing using thermosetting powders. Colour: RAL 7035 textured finish.



**PROTECTION RATING**

- IP66 complying with IEC EN62208; EN62262
- NEMA 4 complying with UL508A; UL50
- protection degree guaranteed by the two-component polyurethane foam seal
- impact resistance IK10 complying with IEC EN62208; EN62262.



Boxes

**TERMINAL BOXES**

SDV CODE	DIMENSIONS		
	B	A	P
SDV1108	150	150	80
SDV2208	200	200	80
SDV3208	300	200	80
SDV4208	400	200	80
SDV5208	500	200	80
SDV6208	600	200	80
SDV8208	800	200	80
SDV1112	150	150	120
SDV2212	200	200	120
SDV3112	300	150	120
SDV3212	300	200	120
SDV3312	300	300	120
SDV4212	400	200	120
SDV4312	400	300	120
SDV4412	400	400	120
SDV5212	500	200	120
SDV5312	500	300	120
SDV6212	600	200	120
SDV6312	600	300	120
SDV6412	600	400	120
SDV8212	800	200	120
SDV8412	800	400	120

To be ordered separately: mounting plate and/or DIN rails.



**CHARACTERISTICS**

Box and lid manufactured from sheet steel. Box provided with holes for fixing hinges and gland plates complete with gasket; lid fixed with captive screws.

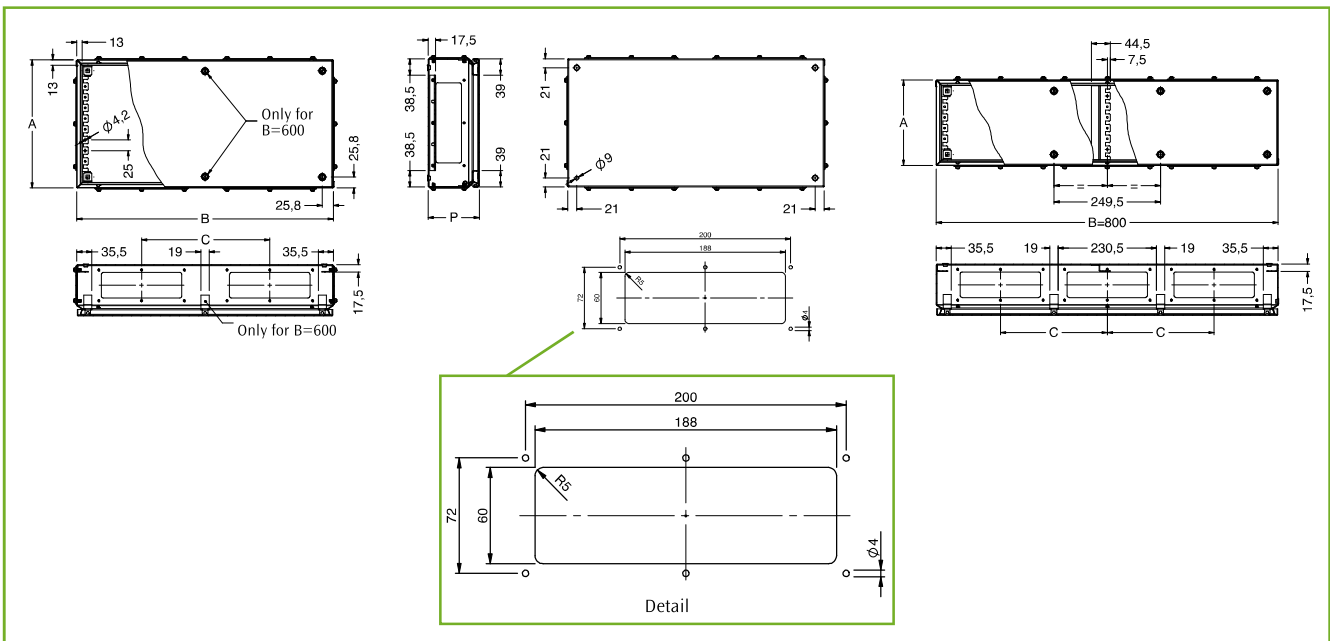
**PAINT FINISH**

ETA standard finishing cycle: paint-based primer with deposition by cataphoresis with epoxy resin and finishing using thermosetting powders. Colour: RAL 7035 textured finish.



**PROTECTION RATING**

- IP66 complying with IEC EN62208; EN62262
- NEMA 4 complying with UL508A; UL50
- protection degree guaranteed by the two-component polyurethane foam seal
- impact resistance IK10 complying with IEC EN62208; EN62262.



Boxes

**TERMINAL BOXES WITH GLAND PLATES**

SDF CODE	DIMENSIONS				TOTAL NUMBER GLAND PLATES	NUMBER OF GLAND PLATES	
	B	A	C	P		SIDE "B"	SIDE "A"
SDF3212	300	200	-	120	2	2	-
SDF3312	300	300	-	120	4	2	2
SDF4212	400	200	-	120	2	2	-
SDF4312	400	300	-	120	4	2	2
SDF4412	400	400	-	120	4	2	2
SDF5212	500	200	130	120	4	4	-
SDF5312	500	300	130	120	6	4	2
SDF6212	600	200	150	120	4	4	-
SDF6312	600	300	150	120	6	4	2
SDF6412	600	400	150	120	6	4	2
SDF8212	800	200	150	120	6	6	-
SDF8412	800	400	150	120	8	6	2

To be ordered separately: mounting plate and/or DIN rails.



**CHARACTERISTICS**

Box and lid manufactured from sheet steel. Hinged lid with captive screws and provided with plexiglas for internal inspection.

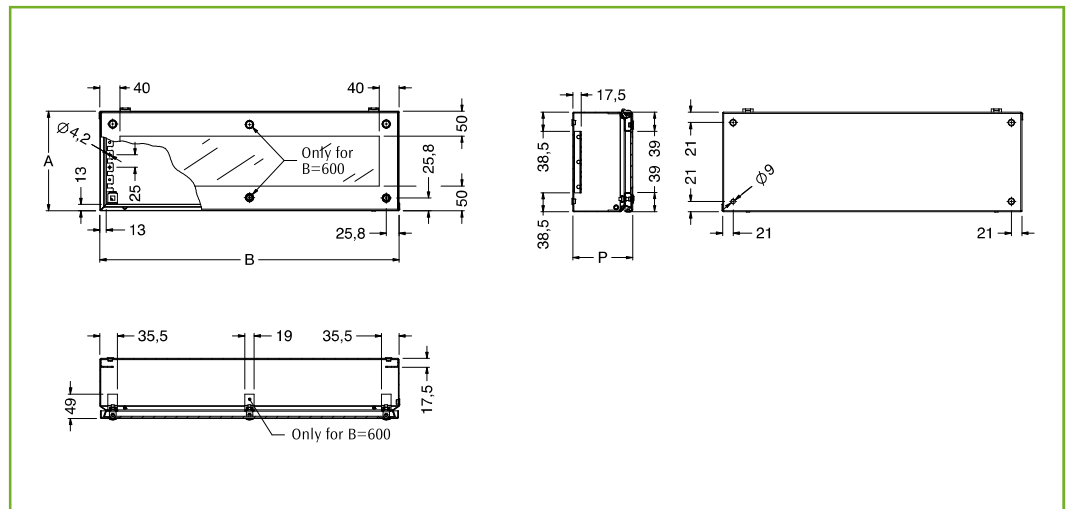
**PAINT FINISH**

ETA standard finishing cycle: paint-based primer with deposition by cataphoresis with epoxy resin and finishing using thermosetting powders. Colour: RAL 7035 textured finish.



**PROTECTION RATING**

- IP55 complying with IEC EN62208; EN62262
- impact resistance IK10 complying with IEC EN62208; EN62262.



Boxes

**TERMINAL BOXES WITH TRANSPARENT LID**

SDVX CODE	DIMENSIONS		
	B	A	P
SDVX4212	400	200	120
SDVX6212	600	200	120

To be ordered separately: mounting plate and/or DIN rails (refer to page 179).



**CHARACTERISTICS**

Box and lid manufactured from sheet steel. Hinged lid with captive screws and provided with plexiglas for internal inspection.

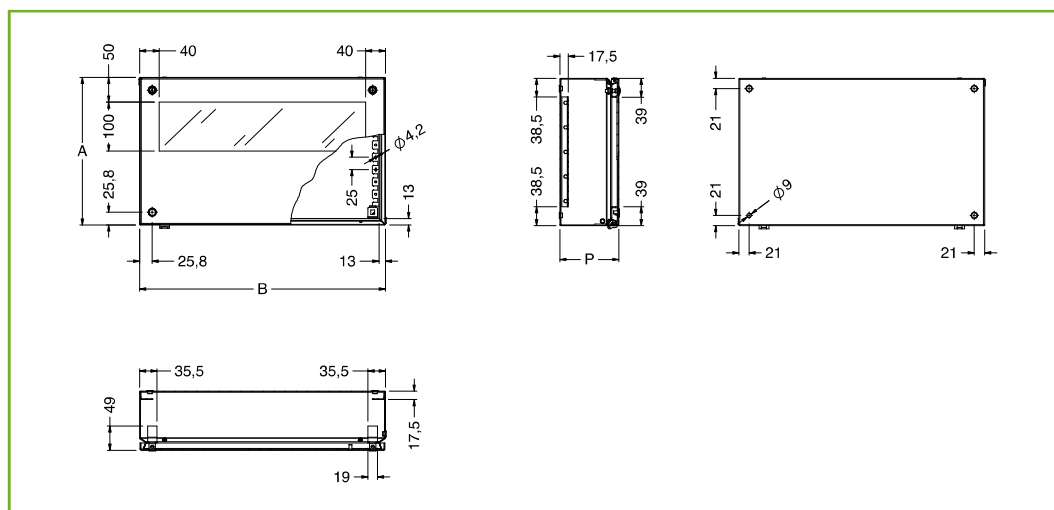
**PAINT FINISH**

ETA standard finishing cycle: paint-based primer with deposition by cataphoresis with epoxy resin and finishing using thermosetting powders. Colour: RAL 7035 textured finish.



**PROTECTION RATING**

- IP55 complying with IEC EN62208; EN62262
- impact resistance IK10 complying with IEC EN62208; EN62262.



Boxes

**TERMINAL BOX FOR BUS SYSTEMS**

SDVX CODE	DIMENSIONS		
	B	A	P
SDVX5312B	500	300	120

To be ordered separately: mounting plate and/or DIN rails (refer to page 179).



**CHARACTERISTICS**

Box manufactured from sheet steel. Door manufactured from sheet steel with  $\varnothing$  3mm double bar key locking system.

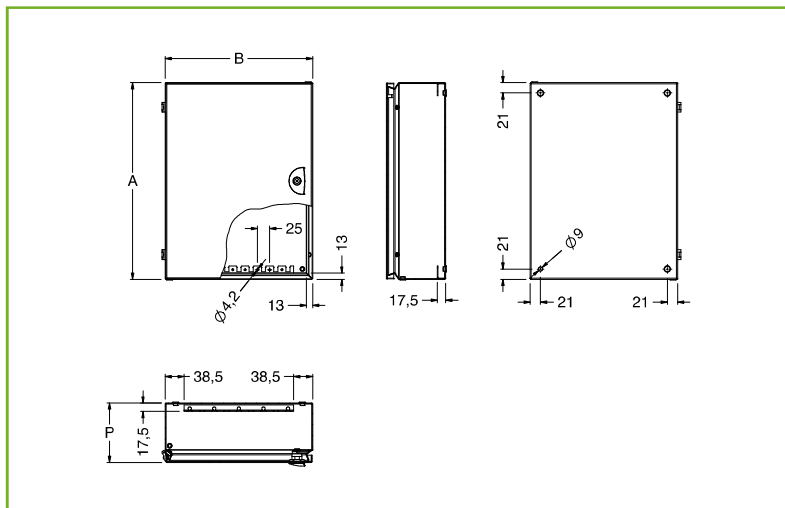
**PAINT FINISH**

ETA standard finishing cycle: paint-based primer with deposition by cataphoresis with epoxy resin and finishing using thermosetting powders. Colour: RAL 7035 textured finish.



**PROTECTION RATING**

- IP55 complying with IEC EN62208; EN62262
- impact resistance IK10 complying with IEC EN62208; EN62262.



Boxes

**TERMINAL BOXES WITH DOOR**

SDP CODE	DIMENSIONS		
	B	A	P
SDP2208	200	200	80
SDP2308	200	300	80
SDP2408	200	400	80
SDP2212	200	200	120
SDP2312	200	300	120
SDP2412	200	400	120
SDP2512	200	500	120
SDP3312	300	300	120
SDP3412	300	400	120

To be ordered separately: mounting plate and/or DIN rails (refer to page 179).

**MOUNTING PLATE SDPA**

**CHARACTERISTICS**

Manufactured from 2.0 mm thick sendzimir sheet steel.

**SUPPLY**

Includes 1 piece.



**MOUNTING PLATE**

SDPA CODE	BOX DIM.		MOUN. PLATE DIM.	
	WIDTH	HEIGHT	W	H
SDPA-11	150	150	126	120
SDPA-22	200	200	176	170
SDPA-31	300	150	276	120
SDPA-32	300	200	276	170
SDPA-33	300	300	276	270
SDPA-42	400	200	376	170
SDPA-43	400	300	376	270
SDPA-44	400	400	376	370
SDPA-52	500	200	476	170
SDPA-53	500	300	476	270
SDPA-62	600	200	576	170
SDPA-63	600	300	576	270
SDPA-64	600	400	576	370
SDPA-82	800	200	776	170
SDPA-84	800	400	776	370

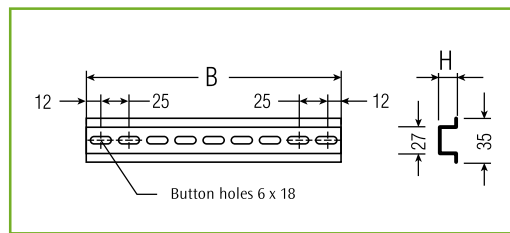
**INNER RAILS SDWA**

**CHARACTERISTICS**

Manufactured from sendzimir sheet steel bars.

**SUPPLY**

Includes 10 pieces.



**INNER RAILS**

SDWA CODE	BOX WIDTH	B	H
SDWA-013	150	125	7,5
SDWA-015	200	175	7,5
SDWA-020	300	275	7,5
SDWA-025	400	375	7,5
SDWA-030	500	475	7,5
SDWA-035	600	575	15
SDWA-040	800	775	15



Boxes

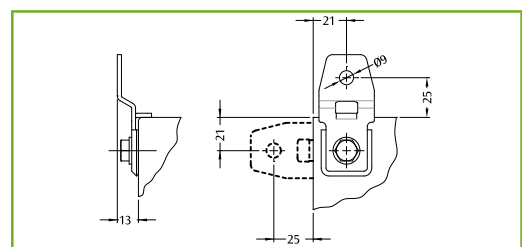
**WALL MOUNTING BRACKETS SDWC-010**

**CHARACTERISTICS**

Manufactured from zincpassivated sheet steel.

**SUPPLY**

Includes 4 pieces.



**HINGES SDWA-005**

**CHARACTERISTICS**

Manufactured from white zincpassivated alloy.

**SUPPLY**

Includes 6 pieces with mounting accessories.

