

General data

Operating / release time (typical values)	20 ms / 15 ms	
Electrical life		
• resistive AC1	> 10 ⁵	16 A, 250 V AC
	> 10 ⁵	10 A, 400 V AC
• cosφ	see Fig. 2	
Mechanical life (cycles)	> 10 ⁷	
Dimensions (L x W x H) / Weight		
• RUC faston 4,8 x 0,5	36,1 x 38,6 x 52,65 mm / 80 g	for plug-in sockets
	36,1 x 38,6 x 56,5 mm / 80 g	for PCB
	45,9 x 38,6 x 58,75 mm / 85 g	with adaptor (V)
	46,8 x 38,6 x 62,45 mm / 85 g	with adaptor (H)
	36,1 x 38,6 x 66,3 mm / 85 g	with mounting flange
Dimensions (L x W x H) / Weight		
• RUC faston 6,3 x 0,8	45,9 x 38,6 x 62,4 mm / 85 g	with adaptor (V)
	46,8 x 38,6 x 66,1 mm / 85 g	with adaptor (H)
	36,1 x 38,6 x 66,3 mm / 85 g	with mounting flange
Ambient temperature	• storage	-40...+85 °C
(non-condensation and/or icing)	• operating	AC: -40...+55 °C 3 CO, 3 NO / 16 A
		AC: -40...+70 °C 2 CO, 2 NO / 16 A
		DC: -40...+55 °C 3 CO, 3 NO / 16 A
		DC: -40...+70 °C 3 CO, 3 NO / 10 A; 2 CO, 2 NO / 16 A
Cover protection category	IP 00	EN 60529
Environmental protection	RTI	EN 61810-7
Shock resistance	10 g	
Vibration resistance	5 g 10...150 Hz	
Solder bath temperature	max. 270 °C	
Soldering time	max. 5 s	

Mounting, sockets and accessories for relays

Relays **RUC** are offered in versions: • standard, for plug-in sockets • with mounting flange in the wall of the cover, on panel mounting with two M4 screws, flat insert connectors - faston 187 (4,8 x 0,5 mm) or faston 250 (6,3 x 0,8 mm) • with vertical (V) or horizontal (H) adaptors for direct mounting on 35 mm rail mount acc. to EN 60715, flat insert connectors - faston 187 (4,8 x 0,5 mm) or faston 250 (6,3 x 0,8 mm) • for direct PCB mounting ②.

Sockets for RUC faston 4,8 x 0,5	Accessories
	Spring wire clips
Screw terminals sockets, 35 mm rail mount (acc. to EN 60715)	
GUC11S-V0 ①	MBA

① For RUC faston 4,8 x 0,5 with GUC11S-V0 socket, max. switching voltages and coil voltages of relays are limited to 250 V AC / DC. ② Relays unavailable with (V) or (H) adaptor, and cover with mounting flange.

GUC11S-V0

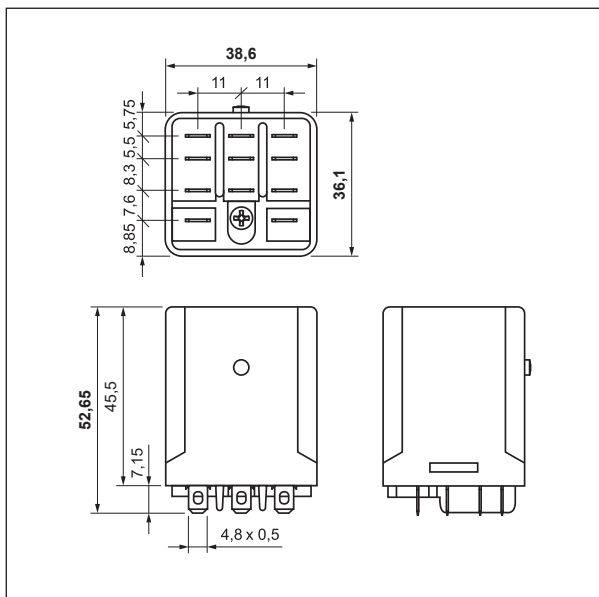
Screw terminals
plug-in sockets for
RUC faston 4,8 x 0,5,
RUC-M
- see page 8



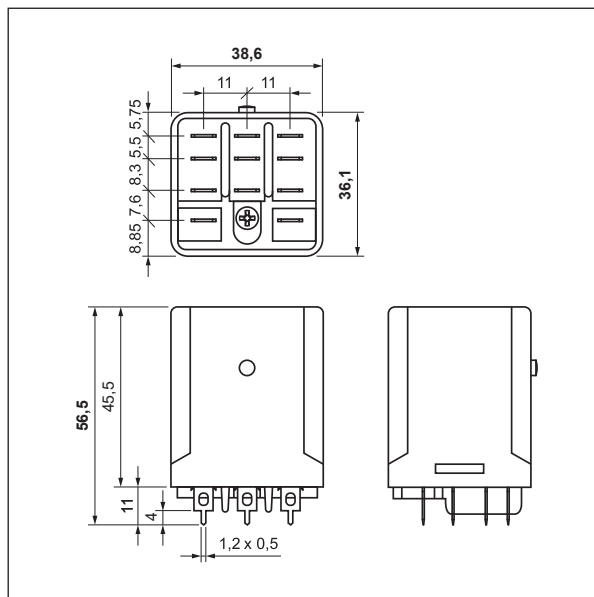
RUC

industrial relays of small dimensions

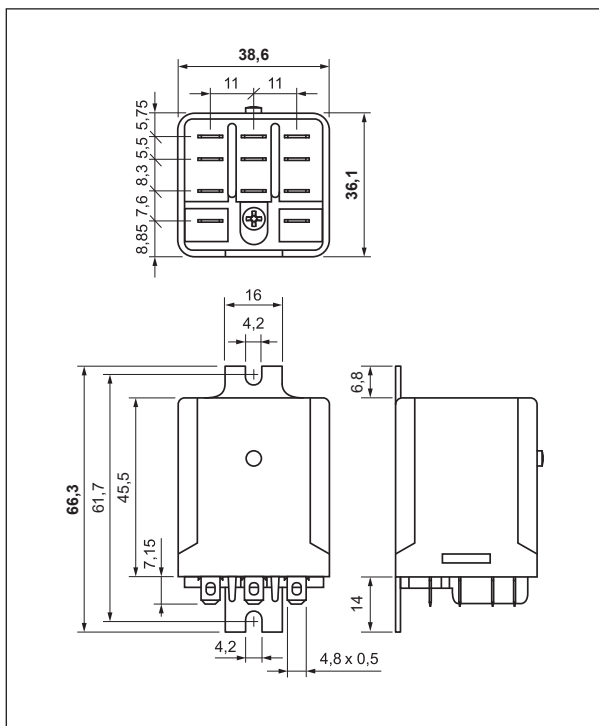
Dimensions - RUC faston 4,8 x 0,5
- plug-in version (standard)



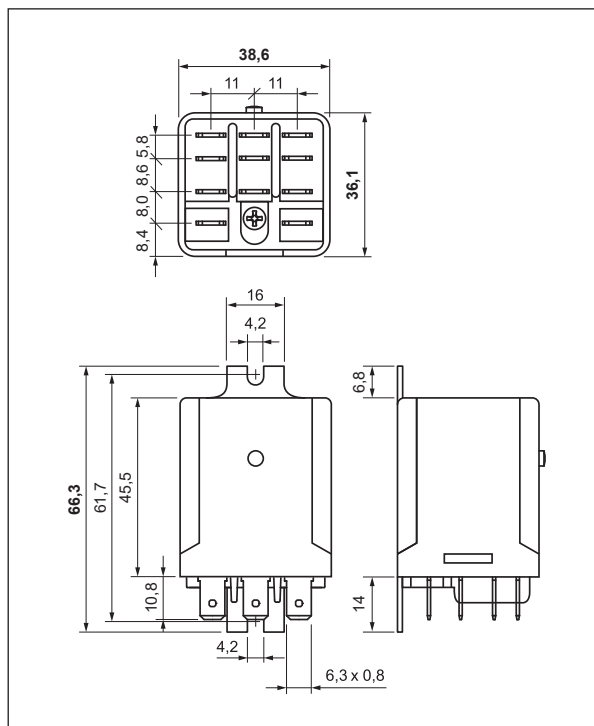
Dimensions - RUC faston 4,8 x 0,5
- PCB version



Dimensions - RUC faston 4,8 x 0,5
- version with mounting flange in the wall of the cover



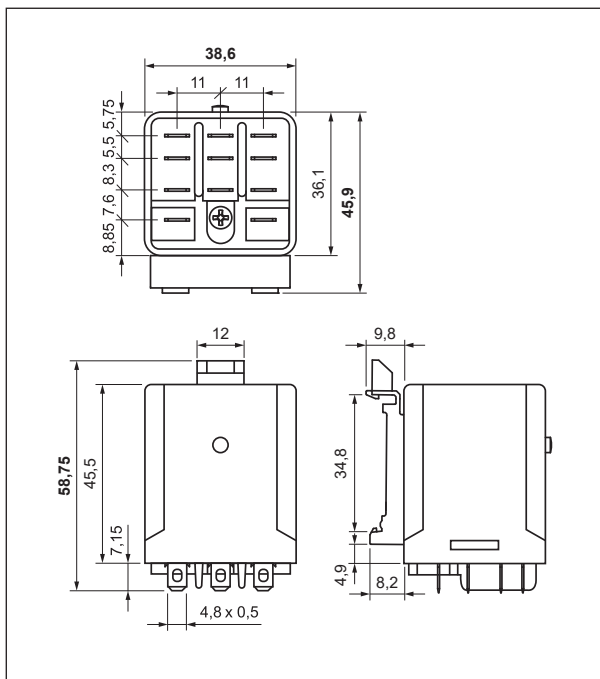
Dimensions - RUC faston 6,3 x 0,8
- version with mounting flange in the wall of the cover



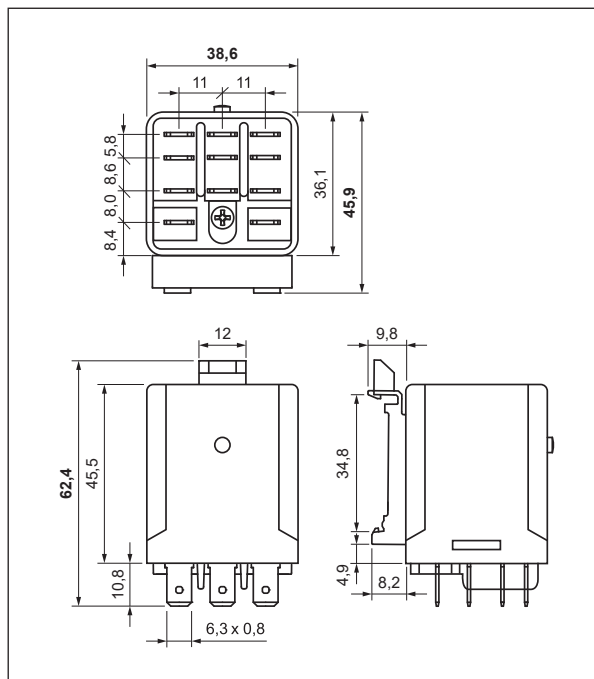
RUC

industrial relays of small dimensions

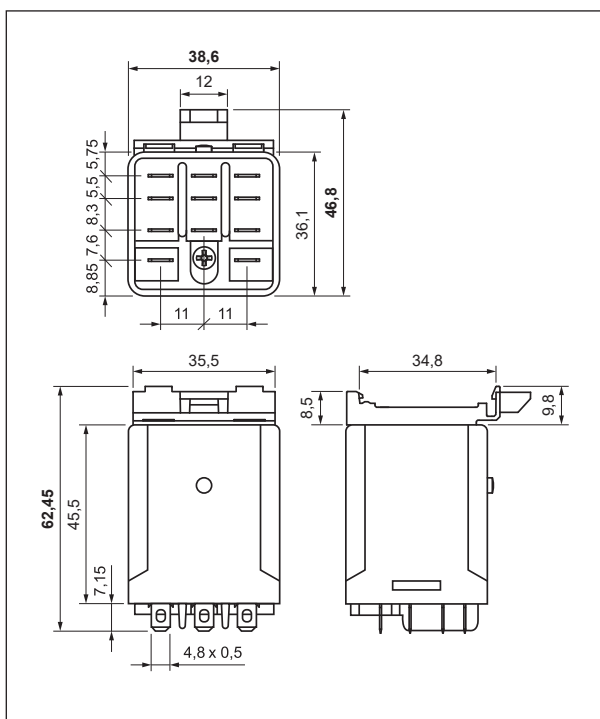
Dimensions - RUC faston 4,8 x 0,5
- version with vertical adaptor (V)



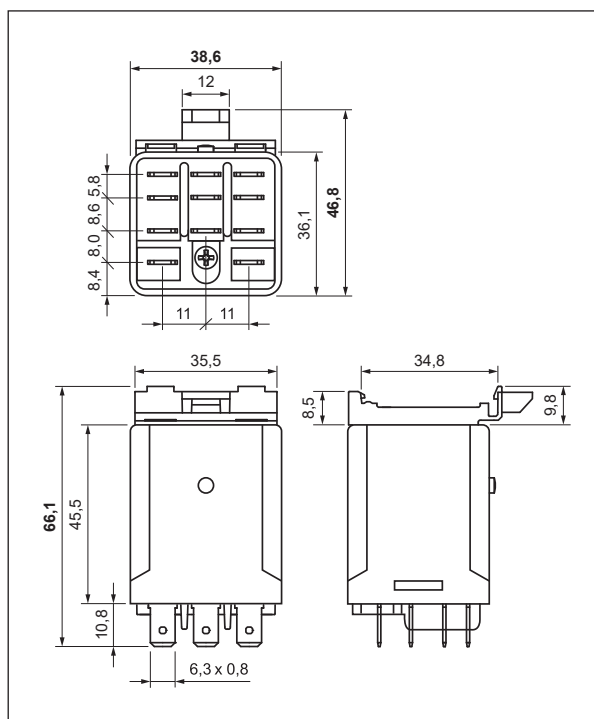
Dimensions - RUC faston 6,3 x 0,8
- version with vertical adaptor (V)



Dimensions - RUC faston 4,8 x 0,5
- version with horizontal adaptor (H)



Dimensions - RUC faston 6,3 x 0,8
- version with horizontal adaptor (H)



Coil data - DC voltage version, standard

Table 1

Coil code	Rated voltage V DC	Coil resistance at 20 °C Ω	Acceptable resistance	Coil operating range V DC	
				min. (at 20 °C)	max. (at 55 °C) ②
1006	6	28	± 10%	4,8	6,6
1012	12	110	± 10%	9,6	13,2
1024	24	430	± 10%	19,2	26,4
1042	42	1 340	± 10%	33,6	46,2
1048	48	1 750	± 10%	38,4	52,8
1060	60	2 700	± 10%	48,0	66,0
1110	110	9 200	± 10%	88,0	121,0
1120	120	11 000	± 10%	96,0	132,0
1220	220	37 000	± 10%	176,0	242,0

The data in bold type relate to the standard versions of the relays.

Coil data - DC voltage version, reinforced

Table 2

Coil code ①	Rated voltage V DC	Coil resistance at 20 °C Ω	Acceptable resistance	Coil operating range V DC	
				min. (at 20 °C)	max. (at 55 °C) ②
W012	12	85	± 10%	9,6	13,2
W024	24	345	± 10%	19,2	26,4
W048	48	1 370	± 10%	38,4	52,8
W110	110	7 300	± 10%	88,0	121,0
W220	220	30 000	± 10%	176,0	242,0

② Max. (at 70 °C) for versions: 3 CO, 3 NO / 10 A; 2 CO, 2 NO / 16 A

① For version with contact gap ≥ 3 mm.

Coil data - AC 50/60 Hz voltage version

Table 3

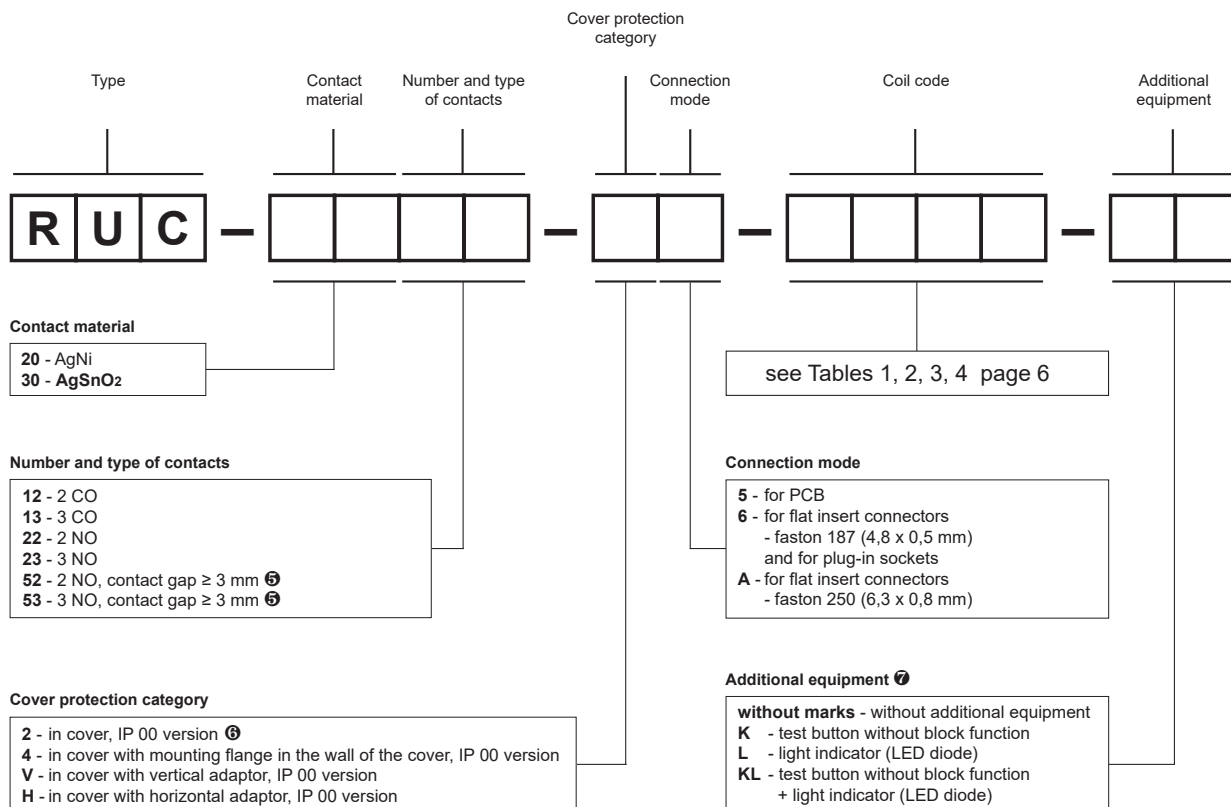
Coil code	Rated voltage V AC	Coil resistance at 20 °C Ω	Acceptable resistance	Coil operating range V AC	
				min. (at 20 °C)	max. (at 55 °C)
5006	6	4,3	± 15%	4,8	6,6
5012	12	18,5	± 15%	9,6	13,2
5024	24	75	± 15%	19,2	26,4
5115	115	1 840	± 15%	92,0	126,5
5120	120	1 910	± 15%	96,0	132,0
5220	220	6 980	± 15%	176,0	242,0
5230	230	7 080	± 15%	184,0	253,0
5240	240	7 760	± 15%	192,0	264,0

Coil data - AC 50 Hz voltage version

Table 4

Coil code	Rated voltage V AC	Coil resistance at 20 °C Ω	Acceptable resistance	Coil operating range V AC	
				min. (at 20 °C)	max. (at 55 °C)
3400	400	21 500	± 15%	320,0	440,0

Ordering codes



⑤ For versions with reinforced DC coils: W012, W024, W048, W110, W220 and with AC coils.

⑥ For relays RUC: for plug-in sockets; for PCB. ⑦ K - orange colour (AC coils), green (DC coils).

Examples of ordering codes:

- RUC-3053-26-W024** relay RUC, faston 187 (4,8 x 0,5 mm), for plug-in sockets, three normally open contacts, with contact gap ≥ 3 mm, contact material AgSnO₂, reinforced coil voltage 24 V DC, in cover IP 00
- RUC-2013-V6-3400-KL** relay RUC, faston 187 (4,8 x 0,5 mm), for flat insert connectors, with vertical adaptor (V), three changeover contacts, contact material AgNi, coil voltage 400 V AC 50 Hz, with test button without block function and light indicator (LED diode), in cover IP 00
- RUC-2052-HA-W220-L** relay RUC, faston 250 (6,3 x 0,8 mm), for flat insert connectors, with horizontal adaptor (H), two normally open contacts, with contact gap ≥ 3 mm, contact material AgNi, reinforced coil voltage 220 V DC, with light indicator (LED diode), in cover IP 00
- RUC-3022-25-5024** relay RUC, for PCB, two normally open contacts, contact material AgSnO₂, coil voltage 24 V AC 50/60 Hz, in cover IP 00

Sockets and accessories

GUC11S-V0 ¹

For RUC faston 4,8x0,5, RUC-M

Screw terminals

Cross section of the cables: max. 1 x 4 mm²
/ 2 x 2,5 mm² (1 x 12 / 2 x 14 AWG),
min. 1 x 0,25 mm² (1 x 23 AWG)

Max. tightening moment
for the terminal: 0,7 Nm

35 mm rail mount

acc. to EN 60715

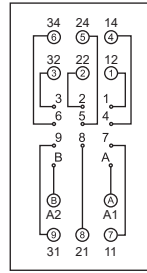
81,5 x 35,5 x 26,5 mm

Three poles

16 A, 250 V AC



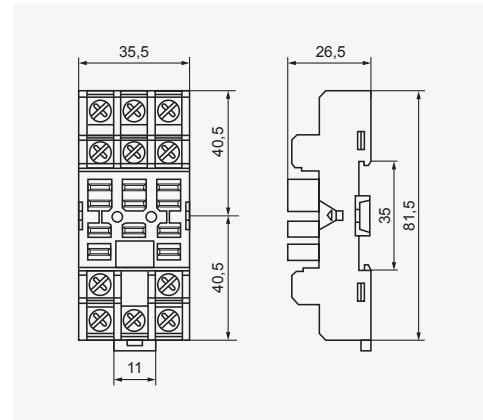
Connection diagram



Accessories

MBA

Dimensions



CE EAC

¹ For RUC faston 4,8 x 0,5 and RUC-M, with GUC11S-V0 socket, max. switching voltages and coil voltages of relays are limited to 250 V AC / DC.

PRECAUTIONS:

1. Ensure that the parameters of the product described in its specification provide a safety margin for the appropriate operation of the device or system and never use the product in circumstances which exceed the parameters of the product. 2. Never touch any live parts of the device. 3. Ensure that the product has been connected correctly. An incorrect connection may cause malfunction, excessive heating or risk of fire. 4. In case of any risk of any serious material loss or death or injuries of humans or animals, the devices or systems shall be designed so to equip them with double safety system to guarantee their reliable operation.