

# GLASS



## IP66-IP55 Polyester wall-mounting cabinets

This series is comprised of a set of cabinets made of hot-pressed polyester reinforced with halogen-free fibreglass that deliver a really high level of performance.

With IP66-IP55 protection, they are designed especially for the food, chemical and pharmaceutical industries and outdoor processing centres due to their durability and resistance to chemical agents.

IP  
55

IP  
66

CE



GLASS

## GLASS Technical specifications

- **Degree of protection:**
  - Cabinets from a height of 300 mm to 800 mm: IP66.
  - Cabinets from a height of 500 mm to 1250 mm: IP55.
- **Resistance to impact:**
  - Opaque door: IK10.
  - Transparent door: IK08.
- **Ambient temperature range:** -50 °C / +90 °C.
- **Test of resistance to glow wire:** 960 °C.
- **Thermal class:** A 150 °C.

## GLASS Certifications

CE

Compliant with the Low Voltage Directive 2014/35/EU.  
Standards: UNE-EN 62208 and UNE-EN 61439-1-3  
(as applicable).

# GLASS

## IP66-IP55 polyester wall-mounting cabinets



### Material

Fibreglass-reinforced hot-pressed polyester.

Main characteristics:

- Halogen-free.
- Non-hygroscopic (zero water absorption).
- Double insulation.
- Corrosion-resistant.

### Polyester finish

RAL 7035 grey.

### Product series

#### Standard

- IP66 cabinets with opaque and transparent door:  
Height: 300 - 400 - 500 - 600 - 800 mm.  
Width: 250 - 300 - 400 - 500 - 600 mm.  
Depth: 140 - 200 - 230 - 300 mm.
- IP55 cabinets with opaque door.  
IP55 cabinets open at the bottom.
- IP55 cabinets with canopy.  
Height: 500 - 750 - 1000 - 1250 mm.  
Width: 500 - 750 - 1000 - 1250 mm.  
Depth: 300 - 420 mm.

*Cabinets supplied without mounting plate.*

#### To order

- Special cabinets, dimensions, cut-outs, colours, etc.

### Supply

#### IP66 cabinets (from a height of 300 mm to 800 mm)

- Supplied in individual packaging.
- The accessories for fitting the mounting plate are fitted on the cabinet. Plate supplied in individual packaging if requested as an accessory.
- Key and assembly instructions.

#### IP55 cabinets (from a height of 500 mm to 1250 mm)

- Supplied individually shrink-wrapped and protected with cardboard at top and bottom.
- The accessories for fitting the mounting plate are fitted on the cabinet. Plate supplied in individual packaging if requested as an accessory.
- Key and assembly instructions.

### Recommended applications

Industrial environments and outdoor facilities, food, chemical and pharmaceutical industries, transformer sub-stations and outdoor areas where durability and resistance against chemicals and UV rays are necessary.



IP66 cabinets with transparent door



IP55 cabinets with bottom opening



IP55 cabinets with canopy



## Body

### IP66 cabinets (from a height of 300 mm to 800 mm)

- Compact body with plain walls, thus optimising space and resistance.
- Lid that guarantees 180° door opening in flush-fit installations, preventing water from entering when the door is opened and guaranteeing flush installation with the surface.
- Quick-fixture guides for M6 screws for fitting accessories without having to drill holes.
- Wall-mounting with head-insulated screws or adjustable brackets (supplied as accessories).

### IP55 cabinets (from a height of 500 mm to 1250 mm)

- Top-locking modules with flat lid.
- Two depths available, 300 mm and 420 mm, to cover all requirements.
- They are also available open at the bottom and with canopy.
- Two fixing possibilities by means of brackets made of galvanised steel or plinth (supplied as accessories).

## Door

### IP66 cabinets (from a height of 300 mm to 800 mm)

- Possibility of opaque or transparent door with 180° opening.
- Opaque doors: Permits the installation of switchgear on the inside. They feature vertical jigs to facilitate machining and to guarantee proper switchgear placement.
- Transparent doors: When combined with a chassis mounting plate and/or inner door they allow you to see the status of the switchgear, while still maintaining IP.
- Internal hinges made of Zamak.

### IP55 cabinets (from a height of 500 mm to 1250 mm)

- Available with opaque door.
- Inner hinges that permit 105° opening and the possibility of left or right opening.
- Outer hinges that permit 180° opening and tool-free door disassembly.



## Locks

### IP66 cabinets (from a height of 300 mm to 800 mm)

- Standard double-bit 3-mm DIN lock.
- Different locking and interlocking systems supplied as accessories.

### IP55 cabinets (from a height of 500 mm to 1250 mm)

- Standard 3-mm, 3-point double-bit insert lock with retractable handle.
- Other types of locks supplied as accessories.

## Mounting plate

### IP66 cabinets (from a height of 300 mm to 800 mm)

- Mounting plates available:
  - 4-mm thick polyester.
  - 2-mm thick galvanised steel sheet.
  - 4-mm thick insulating Bakelite.
- Plate adjustment pack available for depths 200, 230 and 300 mm.
- Mounting plates supplied as accessory.

### IP55 cabinets (from a height of 500 mm to 1250 mm)

- Mounting plates available:
  - 4-mm thick polyester.
  - 2 and 3-mm thick galvanised metal.
- Plate adjustment pack available for both depths, 300 and 420 mm.
- Mounting plates supplied as accessory.

# GLASS

## IP66 polyester wall-mounting cabinets

### Opaque single-door cabinets. IP66 Polyester

Reference No.	Dimensions (AXBXC)	Polyester thickness		No. locks	No. hinges	Wall-mounting (EXF)	Weight KG	Power dissipation according to temperature increase °C P(W)*				
		BODY	LID					20	25	30	35	40
<b>POL302514</b>	300x250x140	2.5	2.7	1	2	248x215	2.20	16.1	20.1	24.1	28.1	32.1
<b>POL403020</b>	400x300x200	2.8	2.8	2	2	338x262	3.65	27.7	34.7	41.6	48.5	55.4
<b>POL404020</b>	400x400x200	2.8	2.8	2	2	338x362	4.55	33.6	42.0	50.4	58.8	67.2
<b>POL504020</b>	500x400x200	2.8	2.8	2	2	438x362	5.42	40.0	50.1	60.1	70.1	80.1
<b>POL604023</b>	600x400x230	3	3	2	2	538x362	7.61	49.9	62.4	74.9	87.4	99.8
<b>POL605023</b>	600x500x230	3	3	2	2	538x462	8.33	58.1	72.6	87.1	101.6	116.1
<b>POL806030</b>	800x600x300	3	3	2	2	734x558	12.99	94.9	118.7	142.4	166.1	189.8

Polyester RAL 7035.

Cabinets supplied without mounting plate.

With 1/4 turn lock.

### Transparent single-door cabinets. IP66 Polyester

Reference No.	Dimensions (AXBXC)	Polyester thickness		No. locks	No. hinges	Door with transparent panel (KXJ)	Wall-mounting (EXF)	Weight KG	Power dissipation according to temperature increase °C P(W)*				
		BODY	LID						20	25	30	35	40
<b>POL302514PT</b>	300x250x140	2.5	2.7	1	2	220x115	248x215	1.25	16.1	20.1	24.1	28.1	32.1
<b>POL403020PT</b>	400x300x200	2.8	2.8	2	2	281x121	338x262	3.25	27.7	34.7	41.6	48.5	55.4
<b>POL404020PT</b>	400x400x200	2.8	2.8	2	2	281x221	338x362	4.00	33.6	42.0	50.4	58.8	67.2
<b>POL504020PT</b>	500x400x200	2.8	2.8	2	2	381x221	438x362	5.00	40.0	50.1	60.1	70.1	80.1
<b>POL604023PT</b>	600x400x230	3	3	2	2	481x221	538x362	7.00	49.9	62.4	74.9	87.4	99.8
<b>POL605023PT</b>	600x500x230	3	3	2	2	481x321	538x462	7.50	58.1	72.6	87.1	101.6	116.1
<b>POL806030PT</b>	800x600x300	3	3	2	2	681x421	734x558	11.92	94.9	118.7	142.4	166.1	189.8

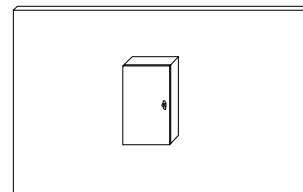
Polyester RAL 7035.

Cabinets supplied without mounting plate.

With 1/4 turn lock.

\* Calculations obtained according to the CEI 890:1997 standard + Corrigendum 1998; "Method of temperature-rise assessment by extrapolation for partially type-tested assemblies (PTTA) of low-voltage switchgear and control gear".

SEE ACCESSORIES ON PAGES 80-81.





IP66 polyester cabinet  
with opaque door

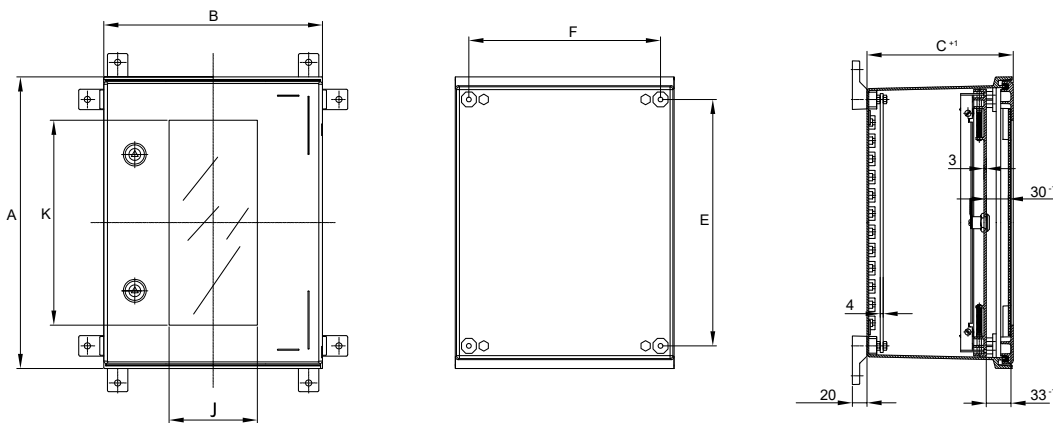


IP66 polyester cabinet  
with transparent door

### Maximum acceptable loads

IP66	Total Load	Door	Plate
300x250x140 cabinets	16.25 Kg	2.25 Kg	14 Kg
400x300x200 cabinets	26.60 Kg	3.60 Kg	23 Kg
400x400x200 cabinets	34.80 Kg	4.80 Kg	30 Kg
500x400x200 cabinets	44.00 Kg	6.00 Kg	38 Kg
600x400x230 cabinets	52.20 Kg	7.20 Kg	45 Kg
600x500x230 cabinets	65.00 Kg	9.00 Kg	56 Kg
800x600x300 cabinets	104.40 Kg	14.40 Kg	90 Kg

### Dimensions: IP66 Polyester



# GLASS

## IP55 polyester wall-mounting cabinets

### Opaque-door cabinets. IP55 Polyester

Reference No.	Dimensions (AXBXC)	Polyester thickness			No. locks	No. hinges	Wall-mounting	Weight KG	Power dissipation according to temperature increase °C P(W)**				
		BODY SIDES	BODY TOP/ BOTTOM	BODY REAR DOOR					20	25	30	35	40
POL505030	510x500x312	4	3	3.5	3P	2	368x552	12.50	60.3	75.4	90.5	105.6	120.7
POL755030	760x500x312	4	3	3.5	3P	2	618x552	17.50	82.4	103.0	123.6	144.2	164.8
POL1005030	1010x500x312	4	3	3.5	3P	3	868x552	21.80	104.5	130.6	156.7	182.8	209.0
POL1007530	1010x750x312	4	3	3.5	3P	3	868x802	25.70	136.9	171.1	205.3	239.5	273.7
POL1007542	1010x750x420	3	3	3.5	3P	3	868x802	29.60	161.0	201.2	241.4	281.7	321.9
POL10010030(*)	1010x1000x312	4	3	3.5	3P/3P	3/3	868x1052	30.60	150.0	199.0	249.0	302.0	357.0
POL10010042(*)	1010x1000x420	3	3	3.5	3P/3P	3/3	868x1052	38.00	181.0	239.0	300.0	364.0	430.0
POL1255030	1260x500x312	4	3	3.5	3P	4	1118x552	26.50	126.6	158.2	189.8	221.5	253.1
POL1257530	1260x750x312	4	3	3.5	3P	4	1118x802	29.50	165.1	206.3	247.6	288.9	330.2
POL1257542	1260x750x420	3	3	3.5	3P	4	1118x802	33.50	192.9	241.2	289.4	337.7	385.9
POL12510030(*)	1260x1000x312	4	3	3.5	3P/3P	4/4	1118x1052	38.80	166.0	220.0	275.0	334.0	395.0
POL12510042(*)	1260x1000x420	3	3	3.5	3P/3P	4/4	1118x1052	44.15	205.0	271.0	341.0	413.0	488.0
POL12512530(*)	1260x1250x312	4	3	3.5	3P/3P	4/4	1118x1302	44.90	230.0	305.0	383.0	463.0	547.0
POL12512542(*)	1260x1250x420	3	3	3.5	3P/3P	4/4	1118x1302	50.50	278.0	367.0	461.0	559.0	660.0

(\*) Double-door cabinets.

### Opaque-door cabinets. IP55 Polyester open at the bottom

Reference No.	Dimensions (AXBXC)	Polyester thickness			No. locks	No. hinges	Wall-mounting	Weight KG	Power dissipation according to temperature increase °C P(W)**				
		BODY SIDES	BODY TOP/ BOTTOM	BODY REAR DOOR					20	25	30	35	40
POL505030/A	510x500x312	4	3	3.5	3P	2	368x552	12.00	60.3	75.4	90.5	105.6	120.7
POL755030/A	760x500x312	4	3	3.5	3P	2	618x552	17.00	82.4	103.0	123.6	144.2	164.8
POL1005030/A	1010x500x312	4	3	3.5	3P	3	868x552	23.30	104.5	130.6	156.7	182.8	209.0
POL1007530/A	1010x750x312	4	3	3.5	3P	3	868x802	25.00	136.9	171.1	205.3	239.5	273.7
POL1007542/A	1010x750x420	3	3	3.5	3P	3	868x802	28.75	161.0	201.2	241.4	281.7	321.9
POL10010030/A(*)	1010x1000x312	4	3	3.5	3P/3P	3/3	868x1052	30.60	150.0	199.0	249.0	302.0	357.0
POL10010042/A(*)	1010x1000x420	3	3	3.5	3P/3P	3/3	868x1052	38.00	181.0	239.0	300.0	364.0	430.0
POL1255030/A	1260x500x312	4	3	3.5	3P	4	1118x552	26.00	126.6	158.2	189.8	221.5	253.1
POL1257530/A	1260x750x312	4	3	3.5	3P	4	1118x802	28.80	165.1	206.3	247.6	288.9	330.2
POL1257542/A	1260x750x420	3	3	3.5	3P	4	1118x802	32.65	192.9	241.2	289.4	337.7	385.9
POL12510030/A(*)	1260x1000x312	4	3	3.5	3P/3P	4/4	1118x1052	38.80	166.0	220.0	275.0	334.0	395.0
POL12510042/A(*)	1260x1000x420	3	3	3.5	3P/3P	4/4	1118x1052	44.15	205.0	271.0	341.0	413.0	488.0
POL12512530/A(*)	1260x1250x312	4	3	3.5	3P/3P	4/4	1118x1302	44.90	230.0	305.0	383.0	463.0	547.0
POL12512542/A(*)	1260x1250x420	3	3	3.5	3P/3P	4/4	1118x1302	50.50	278.0	367.0	461.0	559.0	660.0

Polyester RAL 7035.

Cabinets supplied without mounting plate.

Opaque door cabinets with retractable handle.

3P: one 3-point lock.

(\*) Double-door cabinets.

Check availability of cabinets opened at the bottom and with canopy (not in stock).



IP55 polyester cabinet with opaque door



IP55 polyester cabinet open at the bottom



IP55 polyester cabinet with canopy

## Opaque-door cabinets. IP55 Polyester with canopy

Reference No.	Dimensions (AXBXC)	Polyester thickness				No. locks	No. hinges	Wall-mounting	Weight KG	Power dissipation according to temperature increase °C P(W)**				
		BODY SIDES	BODYTOP/ BOTTOM	BODY REAR DOOR	CANOPY					20	25	30	35	40
POL505030/T	510x500x312	4	3	3.5	4	3P	2	368x552	14.50	60.3	75.4	90.5	105.6	120.7
POL755030/T	760x500x312	4	3	3.5	4	3P	2	618x552	19.50	82.4	103.0	123.6	144.2	164.8
POL1005030/T	1010x500x312	4	3	3.5	4	3P	3	868x552	23.80	104.5	130.6	156.7	182.8	209.0
POL1007530/T	1010x750x312	4	3	3.5	4	3P	3	868x802	28.40	136.9	171.1	205.3	239.5	273.7
POL1007542/T	1010x750x420	3	3	3.5	3	3P	3	868x802	32.60	161.0	201.2	241.4	281.7	321.9
POL10010030/T(*)	1010x1000x312	4	3	3.5	3	3P/3P	3/3	868x1052	33.50	150.0	199.0	249.0	302.0	357.0
POL10010042/T(*)	1010x1000x420	3	3	3.5	3.5	3P/3P	3/3	868x1052	41.45	181.0	239.0	300.0	364.0	430.0
POL1255030/T	1260x500x312	4	3	3.5	4	3P	4	1118x552	28.50	126.6	158.2	189.8	221.5	253.1
POL1257530/T	1260x750x312	4	3	3.5	4	3P	4	1118x802	32.20	165.1	206.3	247.6	288.9	330.2
POL1257542/T	1260x750x420	3	3	3.5	3	3P	4	1118x802	36.50	192.9	241.2	289.4	337.7	385.9
POL12510030/T(*)	1260x1000x312	4	3	3.5	3	3P/3P	4/4	1118x1052	41.70	166.0	220.0	275.0	334.0	395.0
POL12510042/T(*)	1260x1000x420	3	3	3.5	3.5	3P/3P	4/4	1118x1052	47.60	205.0	271.0	341.0	413.0	488.0
POL12512530/T(*)	1260x1250x312	4	3	3.5	3	3P/3P	4/4	1118x1302	48.40	230.0	305.0	383.0	463.0	547.0
POL12512542/T(*)	1260x1250x420	3	3	3.5	3.5	3P/3P	4/4	1118x1302	54.40	278.0	367.0	461.0	559.0	660.0

Polyester RAL 7035.

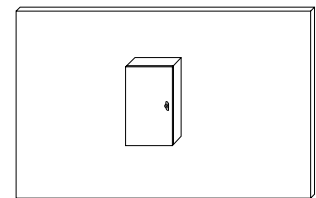
Cabinets supplied without mounting plate.

Opaque door cabinets with retractable handle.

3P: one 3-point lock.

(\*) Double-door cabinets.

Check availability of cabinets opened at the bottom and with canopy (not in stock).



\*\* Calculations obtained according to the CEI 890:1997 standard + Corrigendum 1998; "Method of temperature-rise assessment by extrapolation for partially type-tested assemblies (PTTA) of low-voltage switchgear and control gear".

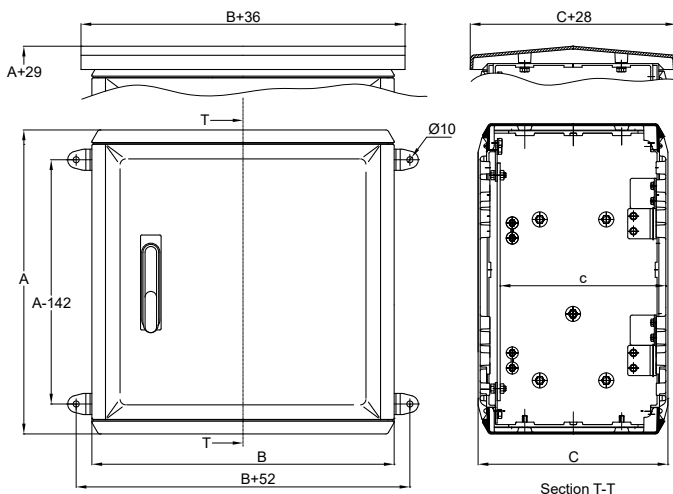
SEE ACCESSORIES ON PAGES 82-83.

## Maximum acceptable loads

IP55	Total Load	Door	Plate
510x500x312	58 Kg	8 Kg	50 Kg
760x500x312	76.5 Kg	10.5 Kg	66 Kg
1010x500x312	102 Kg	14 Kg	88 Kg
1010x750x312	152 Kg	21 Kg	131 Kg
1010x750x420	152 Kg	21 Kg	131 Kg
1010x1000x312	182 Kg	21 Kg	161 Kg
1010x1000x420	182 Kg	21 Kg	161 Kg

IP55	Total Load	Door	Plate
1260x500x312	127 Kg	17.5 Kg	109 Kg
1260x750x312	190 Kg	26 Kg	164 Kg
1260x750x420	190 Kg	26 Kg	164 Kg
1260x1000x312	126.5/126.5 Kg	17.5/17.5 Kg	109/109 Kg
1260x1000x420	126.5/126.5 Kg	17.5/17.5 Kg	109/109 Kg
1260x1250x312	126.5/190 Kg	17.5/26 Kg	109/164 Kg
1260x1250x420	126.5/190 Kg	17.5/26 Kg	109/164 Kg

## Dimensions: IP55 Polyester



Wall-hanging accessories not included in the set.



# GLASS

## IP66 polyester wall-mounting cabinet accessories

### Mounting plates for IP66 cabinets



Reference No.	Dimensions (AXB)	For cabinet	
		HEIGHT	WIDTH
<b>POLYESTER</b>			
PPL3025	268x213	300	250
PPL4030	358x260	400	300
PPL4040	358x360	400	400
PPL5040	458x360	500	400
PPL6040	558x360	600	400
PPL6050	558x460	600	500
PPL8060	754x556	800	600

**MATERIAL:** Plain mounting plate in 4-mm thick reinforced polyester.

**CHARACTERISTICS:** Supplied with all the elements required for fixed installation.

**FOR THE FOLLOWING CABINETS:** IP66 Polyester.

Reference No.	Dimensions (AXB)	HEIGHT	WIDTH
PML3025	268x213	300	250
PML4030	358x260	400	300
PML4040	358x360	400	400
PML5040	458x360	500	400
PML6040	558x360	600	400
PML6050	558x460	600	500
PML8060	754x556	800	600

**MATERIAL:** Plain mounting plate in 2-mm thick galvanised steel.

**CHARACTERISTICS:** Supplied with all the elements required for fixed installation.

**FOR THE FOLLOWING CABINETS:** IP66 Polyester.

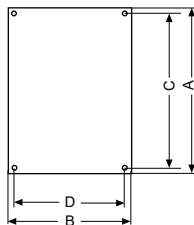
Reference No.	Dimensions (AXB)	HEIGHT	WIDTH
PBL3025	268x213	300	250
PBL4030	358x260	400	300
PBL4040	358x360	400	400
PBL5040	458x360	500	400
PBL6040	558x360	600	400
PBL6050	558x460	600	500
PBL8060	754x556	800	600

**MATERIAL:** Plain mounting plate in 4-mm thick Bakelite.

**CHARACTERISTICS:** Supplied with all the elements required for fixed installation.

**FOR THE FOLLOWING CABINETS:** IP66 Polyester.

### IP66 Plate dimensions



Reference No.			Dimensions				
POLYESTER	METAL	BAKELITE	A	B	C	D	Ø
PPL3025	PML3025	PBL3025	268	213	248	175	7.4
PPL4030	PML4030	PBL4030	358	260	338	222	7.4
PPL4040	PML4040	PBL4040	358	360	338	322	7.4
PPL5040	PML5040	PBL5040	450	360	438	322	7.4
PPL6040	PML6040	PBL6040	558	360	538	322	7.4
PPL6050	PML6050	PBL6050	558	460	538	422	7.4
PPL8060	PML8060	PBL8060	754	556	734	518	7.4

### Inner doors



Reference No.	Dimensions HEIGHT X WIDTH	For cabinet	
		HEIGHT	WIDTH
PPIN4030	366x258	400	300
PPIN4040	366x358	400	400
PPIN5040	466x358	500	400
PPIN6040	566x358	600	400
PPIN6050	566x458	600	500
PPIN8060	766x558	800	600

**MATERIAL:** Fibreglass-reinforced polyester.

**CHARACTERISTICS:** Supplied with all the elements required for installation.

**FOR THE FOLLOWING CABINETS:** IP66 Polyester.

## Modular chassis



Reference No.	No. of modules	Rows	For cabinet		
			HEIGHT	WIDTH	DEPTH
PCH4030	24	2x12	400	300	200
PCH4040	36	2x18	400	400	200
PCH5040	54	3x18	500	400	200
PCH6040	54	3x18	600	400	230
PCH6050	69	3x23	600	500	230
PCH8060	116	4x29	800	600	300
PCH8060/5	130	5x26	800	600	300

**MATERIAL:** Frame and chassis lid in RAL 7035 reinforced polyester.

**CHARACTERISTICS:** Includes frame and DIN profiles.

**FOR THE FOLLOWING CABINETS:** IP66 Polyester.

## Plate adjustment pack



Reference No.	For cabinet depth (mm)
29223	200
29224	230
29225	300

**MATERIAL:** Galvanised steel.

**CHARACTERISTICS:** Pack that includes 4 profiles to move the plate to different depths.

**FOR THE FOLLOWING CABINETS:** IP66 Polyester.

## Wall-mounting



Ref. 29221



Ref. 29222

Reference No.	Description
29221	Wall-mounting set with head-insulated screws (4-piece pack)
29222	Wall-mounting adjustable brackets (4-piece pack)

**CHARACTERISTICS:** Ref. 29221 For mounting the cabinet directly to the wall using a set of 4 head-insulated screws.

Ref. 29222 Set of 4 adjustable brackets to place them in the required position.

**SUPPLY:** 4-piece pack.

**FOR THE FOLLOWING CABINETS:** IP66 Polyester.

## Locks



Ref. 29229



Ref. 29230



Ref. 29231



Ref. 29266

Reference No.	Description
29229	3-mm double-bit DIN lock (standard)
29230	11-mm triangle lock + key
29231	Manual lock with Keya T141-type key
29233	Manual lock with 220-type key
29266	Galvanised interlocking lock

**MATERIAL:** Black polyamide.

**CHARACTERISTICS:** The locks do not include the keys, except for Ref. 29230, which includes the triangle key; and Ref. 29231, which includes the T141-type key.

Ref. 29266 does not include the padlock.

**FOR THE FOLLOWING CABINETS:** IP66 Polyester.

## Post attachment



Reference No.	Description
29270	Post attachment for cabinet width 250
29271	Post attachment for cabinet width 300
29272	Post attachment for cabinet width 400
29273	Post attachment for cabinet width 500
29274	Post attachment for cabinet width 600

**CHARACTERISTICS:** Post attachment for outdoor and temporary installations.

Set of adjustable straps and flanges. Clamps and profiles made of galvanized steel.

**FOR THE FOLLOWING CABINETS:** IP66 Polyester.

# GLASS

## IP55 polyester wall-mounting cabinet accessories

### Mounting plates for IP55 cabinets



Reference No.	Dimensions	For cabinet	
		HEIGHT	WIDTH
<b>POLYESTER</b>	<b>HEIGHT X WIDTH</b>		
<b>PPL5050</b>	393x405	500	500
<b>PPL7550</b>	643x405	750	500
<b>PPL10050</b>	893x405	1000	500
<b>PPL10075</b>	893x655	1000	750
<b>PPL100100</b>	893x905	1000	1000
<b>PPL12550</b>	1143x405	1250	500
<b>PPL12575</b>	1143x665	1250	750
<b>PPL125100</b>	1143x905	1250	1000
<b>PPL125125</b>	1143x1155	1250	1250

**MATERIAL:** Plain mounting plate in 4-mm thick reinforced polyester.

**CHARACTERISTICS:** In order to mount the plate, you must request the adjustment pack, which will depend on cabinet depth (Ref. 29235 or 29236).

**FOR THE FOLLOWING CABINETS:** IP55 Polyester.



Reference No.	Dimensions	For cabinet	
		HEIGHT	WIDTH
<b>METAL</b>	<b>HEIGHT X WIDTH</b>		
<b>PML5050</b>	393x405	500	500
<b>PML7550</b>	643x405	750	500
<b>PML10050</b>	893x405	1000	500
<b>PML10075</b>	893x655	1000	750
<b>PML100100</b>	893x905	1000	1000
<b>PML12550</b>	1143x405	1250	500
<b>PML12575</b>	1143x665	1250	750
<b>PML125100</b>	1143x905	1250	1000
<b>PML125125</b>	1143x1155	1250	1250

**MATERIAL:** Plain mounting plate in galvanised steel. PML50xx and PML75xx are 2-mm thick, and PML100xx and PML125xx are 3-mm thick.

**CHARACTERISTICS:** In order to mount the plate, you must request the adjustment pack, which will depend on cabinet depth (Ref. 29235 or 29236).

**FOR THE FOLLOWING CABINETS:** IP55 Polyester.



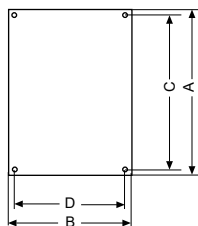
Reference No.	Description	For cabinet
<b>BASE PLATE ADJUSTMENT PACK</b>		<b>DEPTH</b>
<b>29235</b>	Base plate adjustment pack 300	300
<b>29236</b>	Base plate adjustment pack 420	420

**MATERIAL:** Galvanised steel.

**CHARACTERISTICS:** In order to mount the plate, you must request the adjustment pack, which will depend on cabinet depth (Ref. 29235 or 29236).

**FOR THE FOLLOWING CABINETS:** IP55 Polyester.

### IP55 plate dimensions



Reference No.	Reference No.	Dimensions				
<b>POLYESTER</b>	<b>METAL</b>	A	B	C	D	Ø
<b>PPL5050</b>	<b>PML5050</b>	393	405	353	375	9
<b>PPL7550</b>	<b>PML7550</b>	643	405	603	375	9
<b>PPL10050</b>	<b>PML10050</b>	893	405	853	375	9
<b>PPL10075</b>	<b>PML10075</b>	893	655	853	625	9
<b>PPL100100</b>	<b>PML100100</b>	893	905	853	875	9
<b>PPL12550</b>	<b>PML12550</b>	1143	405	1103	375	9
<b>PPL12575</b>	<b>PML12575</b>	1143	655	1103	625	9
<b>PPL125100</b>	<b>PML125100</b>	1143	905	1103	875	9
<b>PPL125125</b>	<b>PML125125</b>	1143	1155	1103	1125	9

## Polyester plinth



Reference No.	Dimensions	For cabinet	
		WIDTH	DEPTH
<b>ZOC5030/P</b>	60x500x300	500	300
<b>ZOC7530/P</b>	60x750x300	750	300
<b>ZOC7542/P</b>	60x750x420	750	420
<b>ZOC10030/P</b>	60x1000x300	1000	300
<b>ZOC10042/P</b>	60x1000x420	1000	420
<b>ZOC12530/P</b>	60x1250x300	1250	300
<b>ZOC12542/P</b>	60x1250x420	1250	420

**MATERIAL:** RAL 7035 polyester.

**CHARACTERISTICS:** Height of 60 mm.

**FOR THE FOLLOWING CABINETS:** IP55 Polyester.

## Wall-mounting



Reference No.	Description
<b>29240</b>	Wall-mounting brackets (4-piece pack)

**MATERIAL:** Galvanised steel.

**SUPPLY:** Pack includes 4 brackets.

**FOR THE FOLLOWING CABINETS:** IP55 Polyester.

## Locks with handle



Ref. 29241

Ref. 29242

Ref. 29243

Reference No.	Description
<b>29241</b>	3-mm double-bit DIN lock (standard)
<b>29242</b>	11-mm triangle lock handle
<b>29243</b>	Manual lock handle with JIS type key

**MATERIAL:** Black polyamide.

**CHARACTERISTICS:** Locks with retractable handle.

The locks do not include the keys. Except for Ref. 29243, which includes the JIS-type key.

**FOR THE FOLLOWING CABINETS:** IP55 Polyester.

## Keys



Ref. 48449

Ref. 48460

Reference No.	Description
<b>48449</b>	5-mm double-bit key in polyamide
<b>48460</b>	5-mm double-bit key in zamak
<b>48551</b>	Triangle key in zamak