

**FREE-STAND, TYPE 4 CONTINUOUS HINGE WITH CLAMPS**



**INDUSTRY STANDARDS**

UL 508A Listed; Type 4, 12; File No. E61997  
 cUL Listed per CSA C22.2 No. 94; Type 4, 12; File No. E61997

NEMA Type 3, 4, 12, 13  
 CSA, File No. 42186, Type 4, 12  
 E.I.A. RS310D  
 IEC 60529, IP66

**APPLICATION**

These enclosures are ideal for mounting equipment on panels or racks in indoor or outdoor applications where it is necessary to protect controls and instrumentation from wet, non-corrosive environments.

**SPECIFICATIONS**

- 12 gauge steel
- Seams continuously welded and ground smooth; no holes or knockouts
- Internal mounting channels welded horizontally at top, bottom and center
- Panels and rack-mounting angles can be mounted anywhere along channels
- Return flange around three sides of door and along enclosure opening excludes liquids and contaminants
- Stainless steel door clamps assure water-tight seal
- Hasp and staple provided for padlocking
- Data pocket is high-impact thermoplastic
- Lifting eyes for easy handling
- Oil-resistant door gasket
- Bonding provision on door
- Provision for mounting fluorescent light

**FINISH**

ANSI 61 gray polyester powder paint inside and out over pretreated surfaces. Optional panels have white or conductive finish.

**ACCESSORIES**

- Panels
- PANELITE Enclosure Lights
- Floor Stand Kit
- SPECTRACOOOL Indoor/Outdoor
- HF Side-Mount Filter Fans
- Steel, Stainless Steel and Non-Metallic Window Kits
- Electric Heaters
- HOL-SEALERS Hole Seals
- INTERSAFE Data Interface Ports, Type 4/4X/12

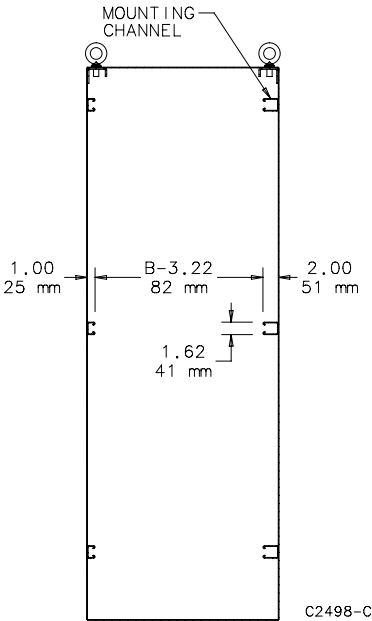
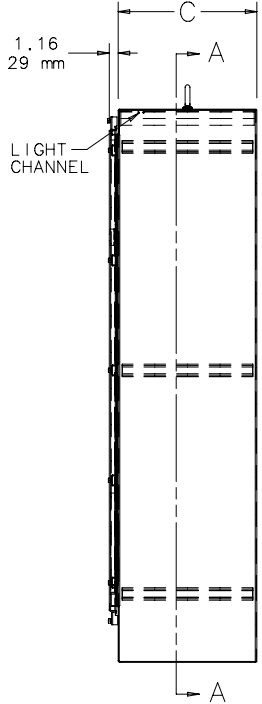
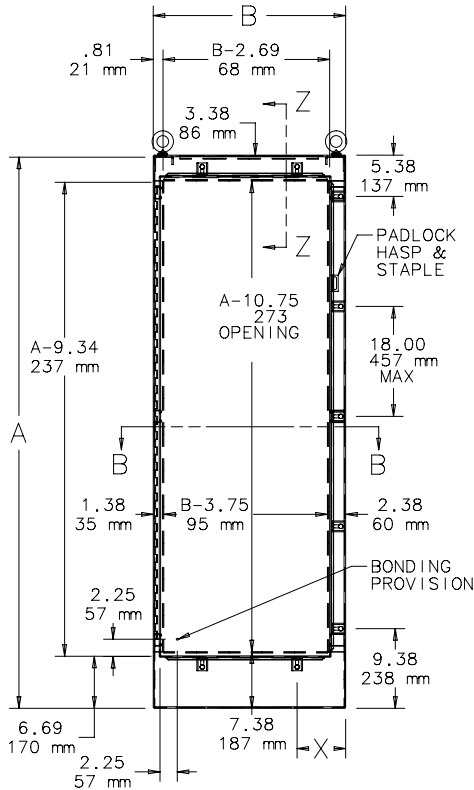
**MODIFICATION AND CUSTOMIZATION**

Hoffman excels at modifying and customizing products to your specifications. Contact your local Hoffman sales office or distributor for complete information.

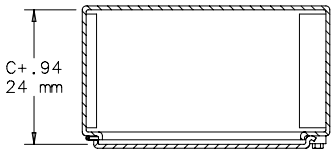
**BULLETIN: A4L**

Standard Product

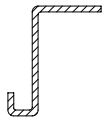
Catalog Number	AxBxC in./mm	X in./mm	Number of Rack Units	Panel	Panel, Conductive
A72H2518FS	72.06 x 25.06 x 18.06 1830 x 637 x 459	6.38 162	35	A72P24F1	A72P24F1G
A72H3124FS	72.06 x 31.06 x 24.06 1830 x 789 x 611	8.38 213	35	A72P30F1	A72P30F1G
A72H3724FS	72.06 x 37.06 x 24.06 1830 x 941 x 611	10.38 264	35	A72P36F1	A72P36F1G



SECTION A-A



SECTION B-B



SECTION Z-Z

**FREE-STAND TYPE 4 ENCLOSURE ACCESSORY SELECTION GUIDE**

(See Accessories for Details)

				Single-Door Single-Access Enclosures		Single-Door Dual Access Enclosures			
				A72H2518FS	A72H3124FS	A72G3724FS	A72H2518FS3PT	A72H3124FS3PT	A72H3724FS3PT
Steel	Conductive	Description	Panel Size						
A60P24F1	A60P24F1G	Full Panel	48.00 x 20.00 (1219 x 508)	• <sup>a</sup>			• <sup>a</sup>		
A60P24F2	A60P24F2G	Half Panel	24.88 x 20.00 (632 x 508)	• <sup>a</sup>			• <sup>a</sup>		
A72P24F1	A72P24F1G	Full Panel	60.00 x 20.00 (1524 x 508)	•			•		
A72P24F2	A72P24F2G	Half Panel	30.88 x 20.00 (784 x 508)	•			•		
A90P24F2	A90P24F2G	Half Panel	39.00 x 20.00 (1013 x 508)	• <sup>a</sup>			• <sup>a</sup>		
A72P30F1	A72P30F1G	Full Panel	60.00 x 26.00 (1524 x 660)		•			•	
A72P30F2	A72P30F2G	Half Panel	30.88 x 26.00 (784 x 660)		•			•	
A60P36F1	A60P36F1G	Full Panel	48.00 x 32.00 (1219 x 813)			• <sup>a</sup>			• <sup>a</sup>
A60P36F2	A60P36F2G	Half Panel	24.88 x 32.00 (632 x 813)			• <sup>a</sup>			• <sup>a</sup>
A72P36F1	A72P36F1G	Full Panel	60.00 x 32.00 (1524 x 813)			•			•
A72P36F2	A72P36F2G	Half Panel	30.88 x 32.00 (784 x 813)			•			•
A90P36F2	A90P36F2G	Half Panel	39.88 x 32.00 (1013 x 813)			• <sup>a</sup>			• <sup>a</sup>

**Panels**

**Swing-Out Panels**

Catalog No.	Description	Panel Size						
A72SP24F3	Full Panel	60.00 x 18.81 (1524 x 478)	•			•		
A72SP24F4	Half Panel	30.88 x 18.81 (784 x 478)	•			•		
A72SP30F3	Full Panel	60.00 x 24.81 (1524 x 630)		•			•	
A72SP30F4	Half Panel	30.88 x 24.81 (784 x 630)		•			•	
A72SP36F3	Full Panel	60.00 x 30.81 (1524 x 783)			•			•
A72SP36F4	Half Panel	30.88 x 30.81 (784 x 783)			•			•

**Side-Mount Panels**

Catalog No.	Description	Panel Size						
A72SMP14	Side-Mount Panel	60.00x14.00 (1524x356)	•	•	•	•	•	•
A72SMP20	Side-Mount Panel	60.00x20.00 (1524x508)		•			•	•

**Heavy-Duty Panel Supports**

Catalog No.	Description	Length						
A72FSHDPS	Two Full-Length Panel Supports	60.25 (1759)	•	•	•	•	•	•

**Clamp Nuts**

Catalog No.	Description	For						
APS1420CN	1/4-20 Clamp Nut (Qty. 20)	Special Use	•	•	•	•	•	•
APS51618CN	5/16-18 Clamp Nut (Qty. 20)	Special Use	•	•	•	•	•	•

**Clip Nut Packages\***

Catalog No.	Description	Size	Fits					
AN1032	Plated (Qty. 20)	#10-32	"RA" Type Rack Mount Angles	•			•	
ANM5	Plated (Qty. 20)	Metric M5	"RA" Type Rack Mount Angles		•			•

**Casters**

Catalog No.	Description	Size						
DMCKC	Set of 4 Casters	4 high x 3 diameter	•	•	•	•	•	•

**Rack-Mount Angles L-Style (Type RP) for 19- and 24-in. Equipment**

Catalog No.	Description	For Rack Size	Angle Length	Number of Rack Units					
A60RP24F5	Two Full-Length Angles	19.00 (483)	49.00 (1245)	28	•			•	
A72RP24F5	Two Full-Length Angles	19.00 (483)	61.25 (1556)	35	•			•	
A72RP24F6	Two Full-Length Angles	19.00 (483)	31.50 (800)	18	•			•	
A72RP30F5	Two Full-Length Angles	24.00 (610)	61.25 (1556)	35		•			•
A72RP30F6	Two Full-Length Angles	24.00 (610)	31.50 (800)	18		•			•
A90RP24F5	Two Full-Length Angles	24.00 (610)	40.25 (1022)	23	•			•	

**Rack-Mount Angles U-Style (Type RA) for 19- and 24-in. Equipment**

Catalog No.	Description	For Rack Size	Angle Length	Number of Rack Units					
A60RA19TH	Two Full-Length Angles	19.00 (483)	49.00 (1245)	28	•			•	
A72RA19TH	Two Full-Length Angles	19.00 (483)	61.25 (1556)	35	•			•	
A72RA24TH	Two Full-Length Angles	24.00 (610)	61.25 (1556)	35		•			•

Millimeter dimensions are in parentheses ( )  
 One rack unit = 1.75 in. (45 mm)  
 \* Requires heavy-duty rack supports.

**Notes**