



### CHARACTERISTICS

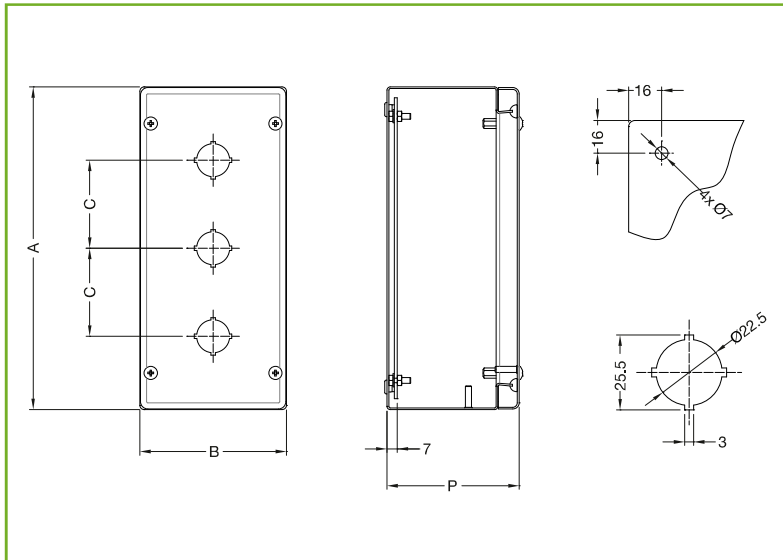
Structure and lid manufactured from pre-satinized AISI304L stainless steel sheet (AISI316L on request). Lid supplied with silicone gasket, fixed in four points (placed outside the gasket) with captive screw and available in 2 versions: punched for the fixation of push buttons  $\varnothing 22.5$  mm or blank. Wall-mounting from the inner part of the box or from the external part with fixing brackets.

### PROTECTION RATING

- IP66 complying with IEC EN62208, EN62262
- IP69K complying with DIN 40050-9
- NEMA 4X complying with UL508A; UL50
- impact resistance IK10 complying with IEC EN62208; EN62262.

To be ordered separately: mounting plate and/or DIN profiles (see page 191).

To order the item in high grade AISI 316L, add the suffix "H" to the code (i.e.: SHX1-109FH).



### PUSHBUTTON WITH PUNCHED LID

SHX CODE	DESCRIPTION			HOLES $\varnothing 22,5$	
	B	A	P	C	N
SHX1-109F	100	100	90	-	1
SHX1-169F	100	160	90	60	2
SHX1-229F	100	220	90	60	3
SHX1-289F	100	280	90	60	4

### PUSHBUTTON WITH BLANK LID

SHX CODE	DESCRIPTION		
	B	A	P
SHX1-109C	100	100	90
SHX1-169C	100	160	90
SHX1-229C	100	220	90
SHX1-289C	100	280	90

Stainless steel

### SHPA MOUNTING PLATE

#### CHARACTERISTICS

Manufactured from sendzimir sheet steel.

#### SUPPLY

Includes 1 piece.

### MOUNTING PLATE

PUSHBUTTON CODE	MOUNT. PLATE PIASTRA	DIMENSIONS	
		L	H
SHX1-109F	-	-	-
SHX1-169F	SHPA-16	60	145
SHX1-229F	SHPA-22	60	205
SHX1-289F	SHPA-28	60	265

### WALL MOUNTING BRACKETS SHWCX-010

#### CHARACTERISTICS

Manufactured from AISI316L stainless steel sheet.

#### SUPPLY

Includes nr. 4 pieces.

