



Control desk

CHARACTERISTICS

E NUX structure and adjustable cable entry bottom manufactured from high-strength low-alloy sheet steel with rear panel with folded sides and removable roof manufactured from sheet steel. Front frame EU-AL and roof with extension manufactured from sheet steel. Upper door manufactured from sheet steel with sendzimir profiles with mechanical stop and Ø 3 mm double bar locking system. Lower door manufactured from sheet steel with reinforcing profiles, rod mechanism and Ø 3 mm double bar locking system.

PAINT FINISH

ETA standard finishing cycle: paint-based primer with deposition by cataphoresis with epoxy resin and finishing using thermosetting powders:

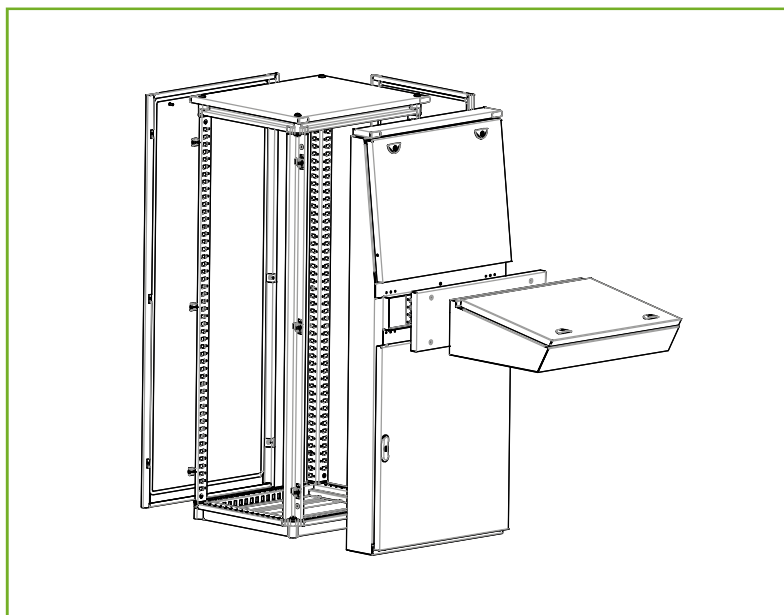
- structure: colour RAL 7035 smooth finish
- EUAL front, rear door or panel: colour RAL 7035 textured finish
- roof: colour RAL 5020 textured finish.

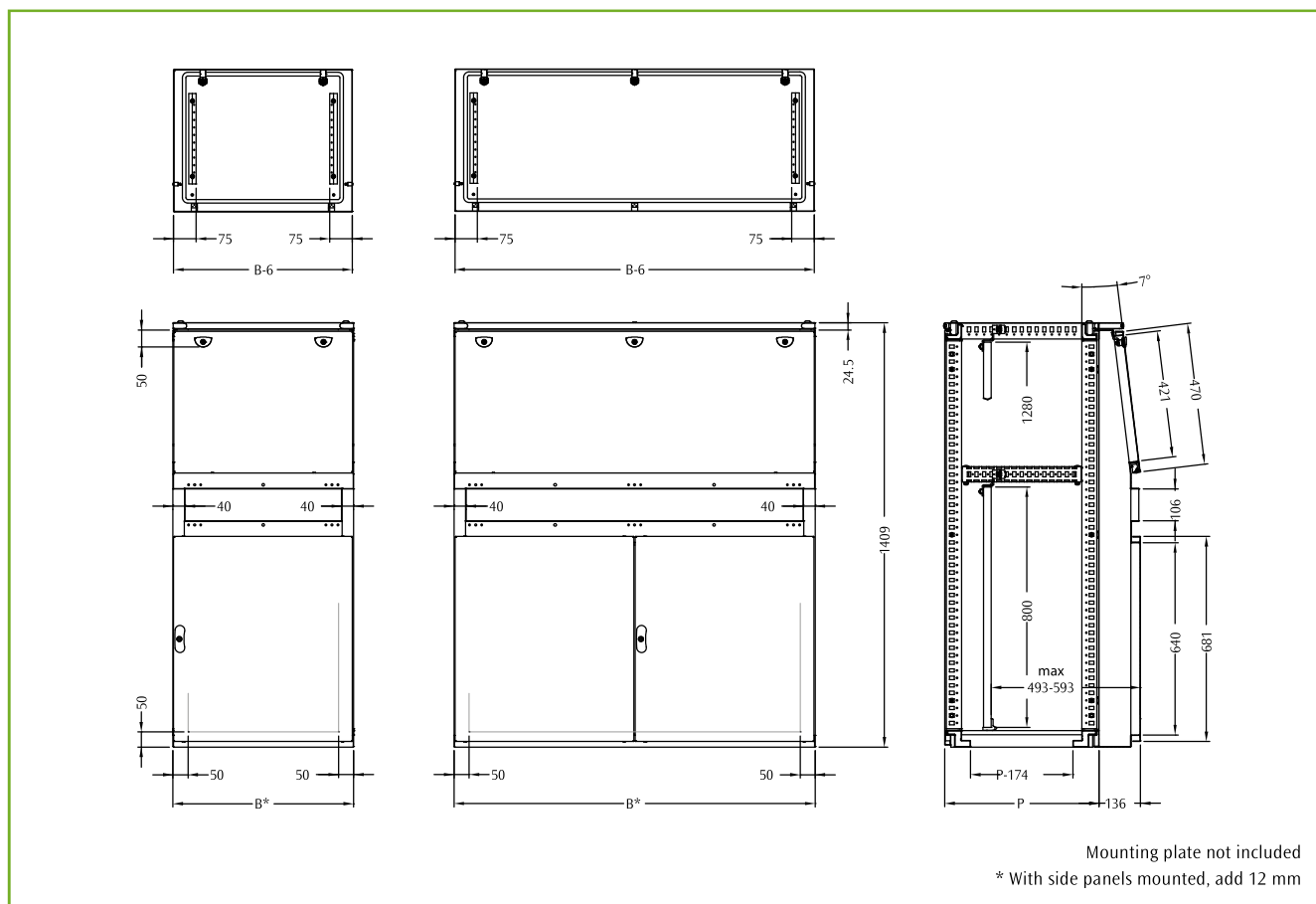
SUPPLY

- E NUX structure with rear door or panel (assembled or in kit) and EUAL front frame complete with upper and lower doors
- to complete the configuration of the front, it shall be ordered separately the EUME shelf or the EUPN front panel
- supply includes adhesive gasket and mounting accessories.

PROTECTION RATING

- IP55 complying with IEC EN62208; EN62262
- impact resistance IK10 complying with IEC EN62208; EN62262.





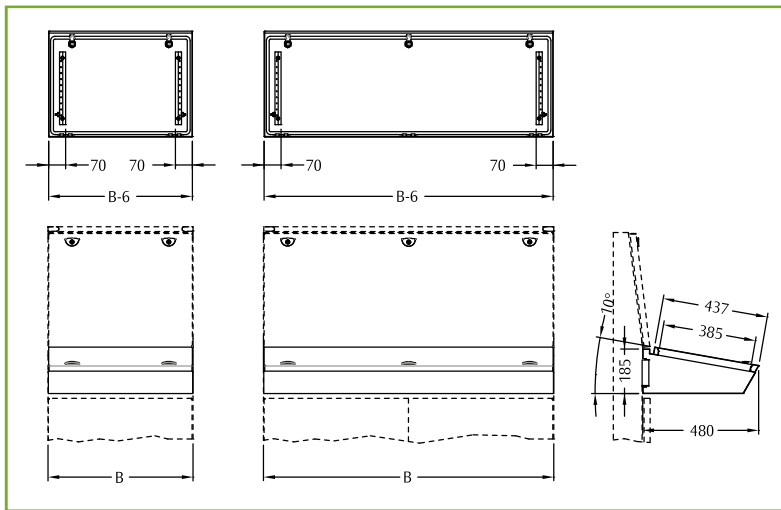
DESK CABINET E NUX

DIMENSIONS			CABINET DIM.		FLAT-PACK VERSION				ASSEMBLED VERSION	
WIDTH	HEIGHT	DEPTH	B	P	TOP + BOTTOM	EUAL FRONT STR. + STR. UPRIGHTS	REAR DOOR + UPRIGHTS	REAR PANEL + UPRIGHTS	E NUX AL WITH REAR DOOR	E NUX AL WITH REAR PANEL
600	1400	400	600	414	EUTF060040	EUAL060140	EUPO060140	EURE060140	EUAL061404FP	EUAL061404FR
800	1400	400	800	414	EUTF080040	EUAL080140	EUPO080140	EURE080140	EUAL081404FP	EUAL081404FR
1200	1400	400	1200	414	EUTF120040	EUAL120140	EUPO120140	EURE120140	EUAL121404FP	EUAL121404FR
1600	1400	400	1600	414	EUTF160040	EUAL160140	EUPO160140	EURE160140	EUAL161404FP	EUAL161404FR
600	1400	500	600	514	EUTF060050	EUAL060140	EUPO060140	EURE060140	EUAL061405FP	EUAL061405FR
800	1400	500	800	514	EUTF080050	EUAL080140	EUPO080140	EURE080140	EUAL081405FP	EUAL081405FR
1200	1400	500	1200	514	EUTF120050	EUAL120140	EUPO120140	EURE120140	EUAL121405FP	EUAL121405FR
1600	1400	500	1600	514	EUTF160050	EUAL160140	EUPO160140	EURE160140	EUAL161405FP	EUAL161405FR

Complete in the order:

- with EUME shelf or EUPN panel - page 198
- with side panels EUFI040140 (dim 400x1400) or EUFI050140 (dim 500 x 1400) - page 58
- if necessary with mounting plate EUPR (page 53) / EUPA (page 49)

Control desk



SHELF EUME

CHARACTERISTICS

Structure manufactured from sheet steel. Upper panel manufactured from sheet steel with Ø 3 mm double bar locking system, sendzimir rails and gas springs to avoid accidental closing.

PAINT FINISH

ETA standard finishing cycle: paint-based primer with deposition by cataphoresis with epoxy resin and finishing using thermosetting powders. Colour: RAL 7035 textured finish.

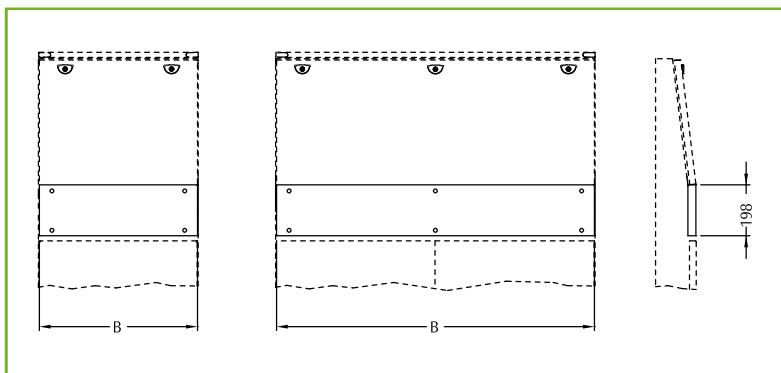


SUPPLY

- Enclosure with:
- upper panel
 - sealing gasket
 - mounting accessories.

SHELF		
EUME CODE	CABINET WIDTH	B
EUME000600AL	600	600
EUME000800AL	800	800
EUME001200AL	1200	1200
EUME001600AL	1600	1600

Control desk



PANEL EUPN

CHARACTERISTICS

Manufactured from sheet steel.

PAINT FINISH

ETA standard finishing cycle: paint-based primer with deposition by cataphoresis with epoxy resin and finishing using thermosetting powders. Colour: RAL 7035 textured finish.



SUPPLY

Includes 1 piece with mounting accessories.

PANEL		
EUPN CODE	CABINET WIDTH	B
EUPN000600	600	594
EUPN000800	800	794
EUPN001200	1200	1194
EUPN001600	1600	1594

FRONT INSERTED MOUNTING PLATE EUPR/EUPA

Manufactured from sendzimir sheet steel.
For L>1400: mounting plate manufactured with two parts with horizontal union and stiffening omega.

To be ordered separately: mounting plate kit WTKB-002.

For the mounting plate H=800, in depth profile WTPR and mounting accessories WTSF-001CP have to be ordered separately.

PROFILES

WTPR CODE	CABINET DEPTH
WTPR-050040CP	400
WTPR-050050CP	500



MODULAR PLINTH EUZE

CHARACTERISTICS

Corner pieces manufactured from press bent sheet steel, with PVC front covers caps. Front and side crosspieces manufactured from press bent sheet steel.

PAINT FINISH

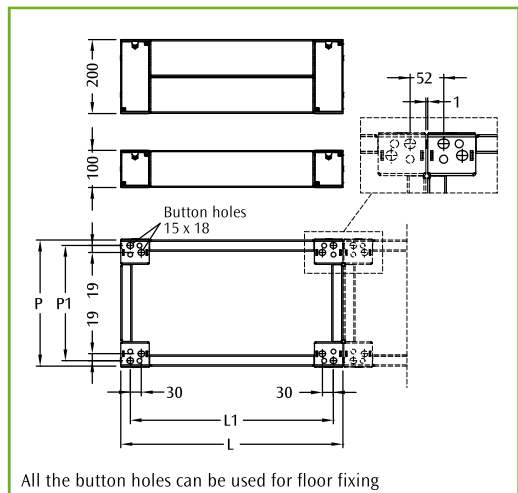
ETA standard finishing cycle: paint-based primer with deposition by cataphoresis with epoxy resin and finishing using thermosetting powders. Colour: RAL 5020 textured finish.



SUPPLY

The modular plinth is made up of:

- corner pieces: supply includes 4 pieces complete with front covers and mounting hardware
- front/rear crosspieces: supply includes 2 pieces
- side crosspieces: supply includes 2 pieces.



MOUNTING PLATE

EUPR / EUPA CODE	CABINET WIDTH	MOUNTING PLATE DIMENSIONS	
		L	H
EUPR-060080	600	485	800
EUPR-080080	800	685	800
EUPR-120080	1200	1085	800
EUPR-160080	1600	1485	800
EUPA-060140	600	485	1280
EUPA-080140	800	685	1280
EUPA-120140	1200	1085	1280
EUPA-160140	1600	1485	1280

UNIVERSAL CORNER PIECES

EUZE CODE	DESCRIPTION
EUZE-A100	CORNER PIECES FOR PLINTH H=100
EUZE-A200	CORNER PIECES FOR PLINTH H=200

Supply includes 4 pieces with mounting accessories.

SIDE CROSSPIECES FOR EUAL

EUZE CODE	DESCRIPTION	CROSS. LENGTH MM
EUZE-T0400T	PLINTH CROSSPIECES D=400	369
EUZE-T0500T	PLINTH CROSSPIECES D=500	469

FRONT CROSSPIECES

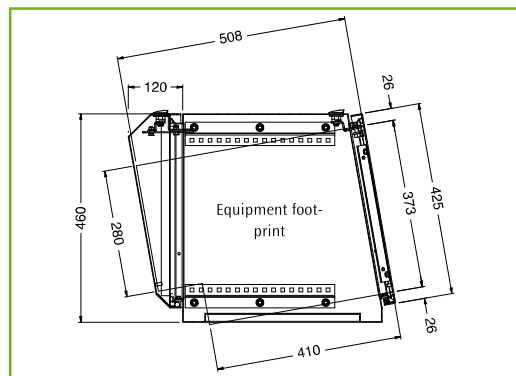
EUZE CODE	DESCRIPTION	CROSS. LENGTH MM
EUZE-T0600	PLINTH CROSSPIECES W=600	444
EUZE-T0800	PLINTH CROSSPIECES W=800	644
EUZE-T1200	PLINTH CROSSPIECES W=1200	1044
EUZE-T1600	PLINTH CROSSPIECES W=1600	1444

DIMENSIONAL SPECIFICATIONS

CABINET DIM.		PLINTH DIM.		CENT. DISTANCES	
L	P	L	P	L1	P1
600	400	600	503	549	474
600	500	600	603	549	574
800	400	800	503	749	474
800	500	800	603	749	574
1200	400	1200	503	1149	474
1200	500	1200	603	1149	574
1600	400	1600	503	1549	474
1600	500	1600	603	1549	574

To order the front and side crosspieces H=200, add the suffix "D" to the code (i.e.: EUZE-T0400TD).
Supply includes 2 pieces.

Control desk



CASING FOR PE

To be mounted on the 500 mm deep PE instead of the rear panel when a greater depth is required.

CHARACTERISTICS

Manufactured from sheet steel.

PAINT FINISH

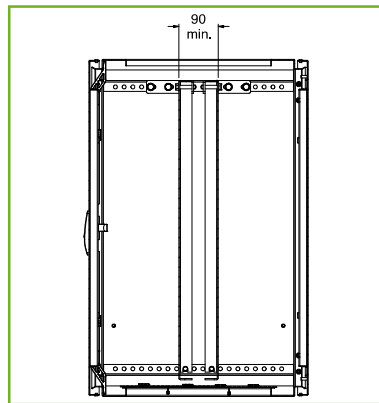
ETA standard finishing cycle: paint-based primer with deposition by cataphoresis with epoxy resin and finishing using thermosetting powders. Colour: RAL 7035 textured finish.



SUPPLY

Includes 1 casing with closing system, sealing gasket and mounting accessories.

CASING PE	
PECF CODE	PE WIDTH
PECF8025	800
PECF1235	1200
PECF1645	1600



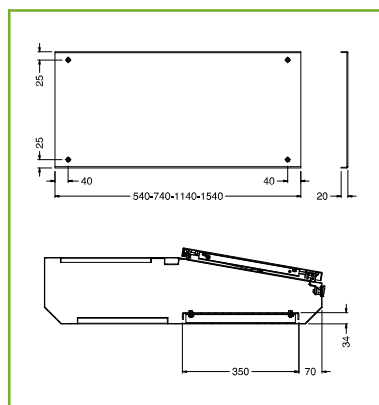
MOUNTING PLATE (ADDITIONAL) FOR BASE AE

Manufactured from sendzimir sheet steel.

SUPPLY

Includes 1 piece complete with mounting accessories.

MOUNTING PLATE FOR AE	
PA4-AE CODE	AE WIDTH
PA4-AE825	800
PA4-AE235	1200
PA4-AE645	1600



MOUNTING PLATE FOR SHELF LE

Manufactured from sendzimir sheet steel.

SUPPLY

Includes 1 piece complete with mounting accessories.

MOUNTING PLATE FOR LE	
PA4-LE CODE	LE WIDTH
PA4-LE015	600
PA4-LE025	800
PA4-LE235	1200
PA4-LE645	1600

Control desk

COVER TL FOR LE SHELF

Manufactured from sheet steel.

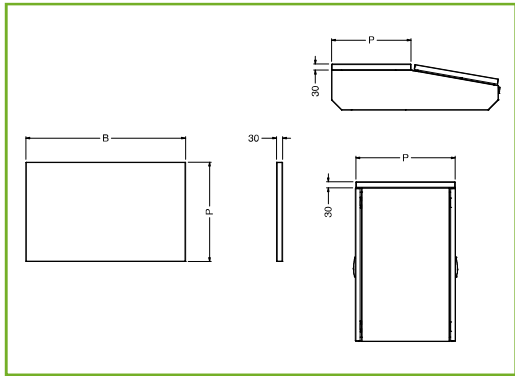
PAINT FINISH

ETA standard finishing cycle: paint-based primer with deposition by cataphoresis with epoxy resin and finishing using thermosetting powders. Colour: RAL 7035 textured finish.



SUPPLY

Includes 1 piece complete with sealing gasket and mounting accessories.



TL FOR LE D=400 MM

TL CODE	DIMENSIONS	
	B	P
TL601	600	398
TL802	800	398
TL123	1200	398
TL164	1600	398

TL FOR LE D=500 MM

TL CODE	DIMENSIONS	
	B	P
TL8025	800	498
TL1235	1200	498
TL1645	1600	498

HANDLE FOR CONTROL DESK

Manufactured from aluminium alloy. Supply includes 1 piece complete with mounting accessories.

HANDLE

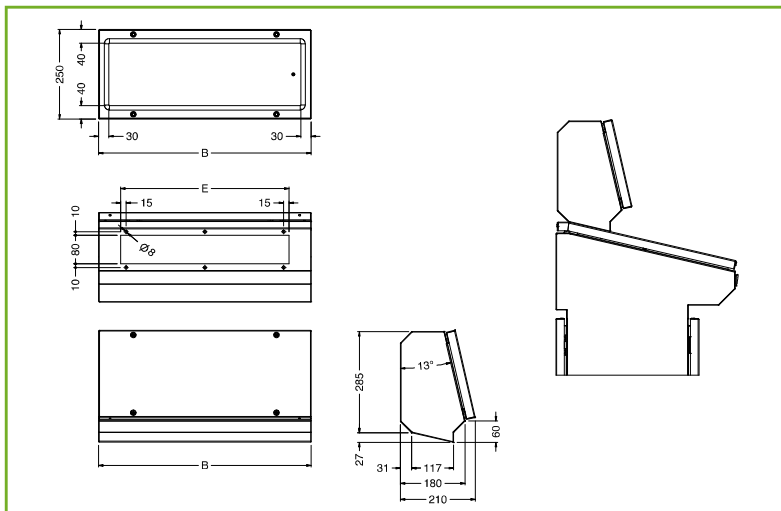
WA CODE	DESK WIDTH
WA-400	600
WA-410	800
WA-430	1000
WA-440	1200
WA-450	1600



Control desk

SPA UPPER PART

Compatible with ZBA and SBA after drilling. Screws included.

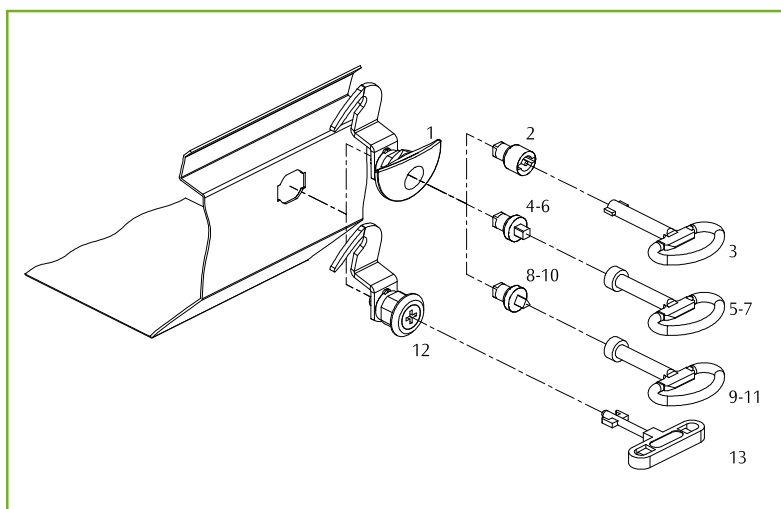


SPA UPPER PART

SPA CODE	DIMENSIONS	
	B	E
SPA601	594	470
SPA801	794	670
SPA001	994	870
SPA201	1194	1070

LOCKING SYSTEMS

LOCKING SYSTEMS		
WE CODE	REF.	DESCRIPTION
WE251	1	LOCK
WE255	2	ETA INSERT
WE160	3	ETA KEY
WE260	4	INSERT \varnothing 6 MM
WE263	5	KEY \varnothing 6 MM
WE265	6	INSERT \varnothing 7 MM
WE268	7	KEY \varnothing 7 MM
WE270	8	INSERT \varnothing 6,5 MM
WE273	9	KEY \varnothing 6,5 MM
WE275	10	INSERT \varnothing 8 MM
WE278	11	KEY \varnothing 8 MM
WE209	12	FIAT LOCK
WE210	13	FIAT KEY



LOCKING SYSTEMS		
WE CODE	REF.	DESCRIPTION
WE010	1	ROD SYSTEM
WE080	2	FIAT INSERT
WE210	3	FIAT KEY
WE030	4	ETA INSERT \varnothing 3 MM
WE160	5	ETA KEY \varnothing 3 MM
WE040	6	ETA INSERT \varnothing 5 MM
WE170	7	ETA KEY \varnothing 5 MM
WE050	8	INSERT \varnothing 7 MM
WE180	9	KEY \varnothing 7 MM
WE060	10	INSERT \varnothing 8 MM
WE190	11	KEY \varnothing 8 MM
WE070	12	INSERT \varnothing 7 MM
WE200	13	KEY \varnothing 7 MM
WE021	14	ETA LOCK COVER

