



Rack 19"

E NUX RACK 19" AND NETWORKING SOLUTIONS

FEATURES AND BENEFITS

In full respect of the sustainability and compatibility philosophy, the system of suite cabinets E NUX can be integrated with a range of specific accessories for each solution.

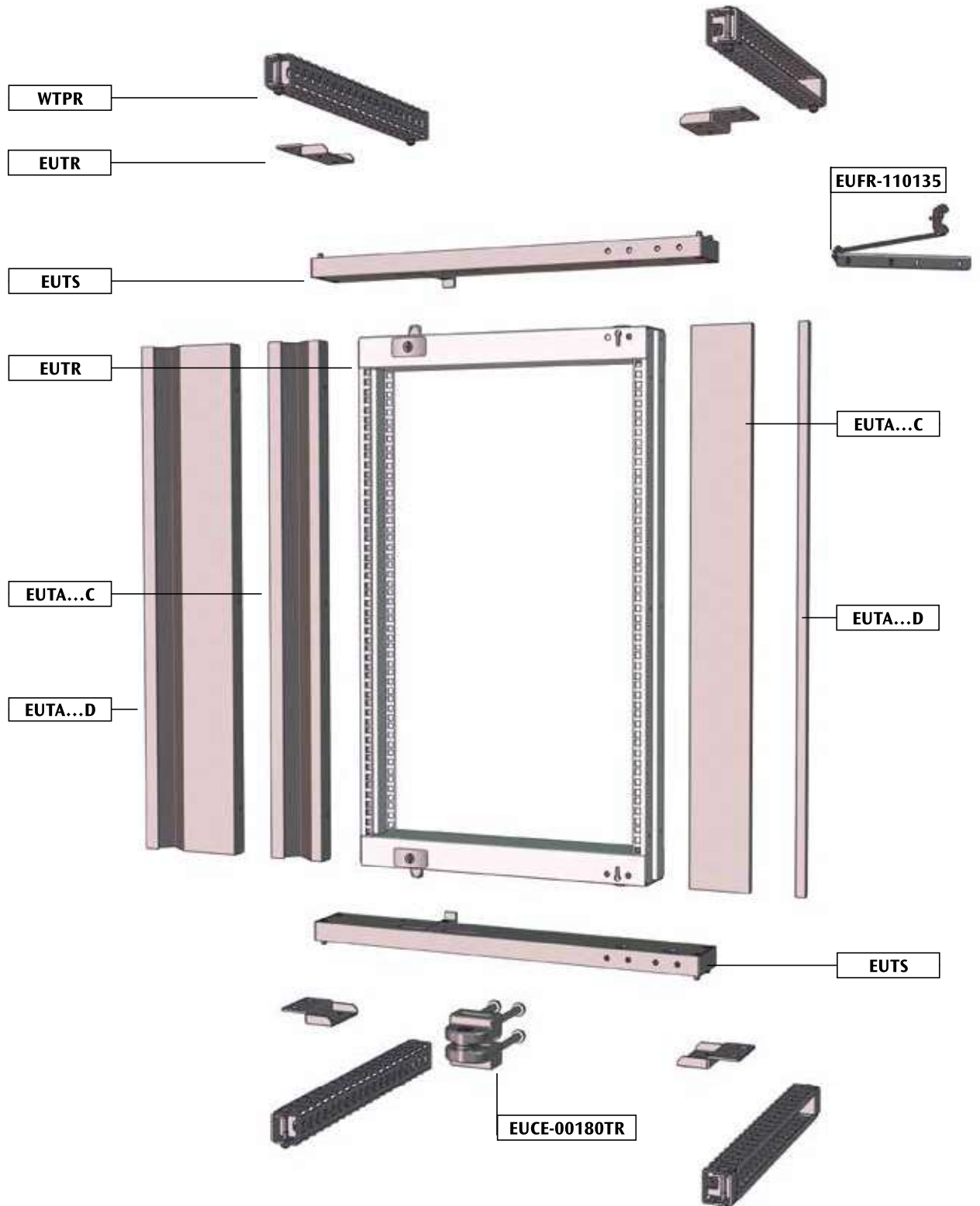
In certain applications, the wide range of 19" components, totally compatible with E NUX, represents the necessary completion of the cabinets:

- full or partial height 19" rack frames with modular concept
- 19" rack uprights
- rack frames
- fixed or removable shelves
- solid or punched 19" rack panels
- accessories for ventilation
- PDU and further accessories

Rack boxes available.

EFFECTIVE, EASY-TO-INSTALL, STRONG

An innovative system consisting in frame, two horizontal rails and trim panels supplied according to the selected assembly: a modular concept to grant flexibility and a wide range of options.



Rack 19"

- Higher structural stiffness

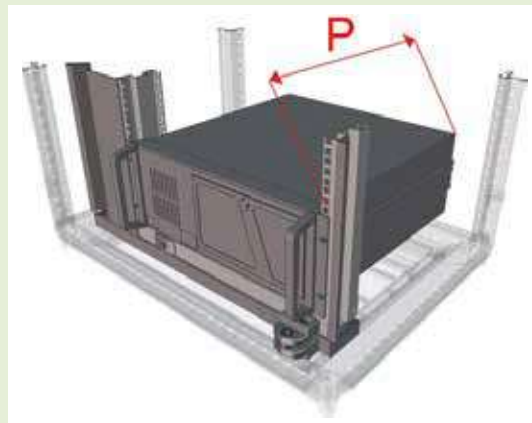
HINGES	LOAD CAPACITY (*)
110°	1700 N
180°	1400 N

* Load capacity for single cabinet. For cabinets joined in a suite, the load capacity can be increased by 60%

- Higher resistance to dynamic stress
- Easy to assemble
- No adjustments needed

- Deeper equipment can be installed

KIND OF RACK FRAME		MAX DEPTH OF THE EQUIPMENT 19"mm	
		W=600	W=800
CENTERED	110°	185	370
CENTERED	110°	-	485
NOT CENTERED	180°	-	300
NOT CENTERED	180°	-	415



- Rotating system thanks to the new interchangeable 110° and 180° hinges
- 110° available for W=800mm too
- Partial frames with standard WTPR rails
- Solutions for special applications available (i.e. W=1200mm)
- It can be assembled with dividing panels and EU-KU-003 reinforcing brackets
- Rack stop options (90°, 110°, 135°) for top/bottom assembly

Rack 19"

STEP 1 **Select HE and corresponding rack frame**

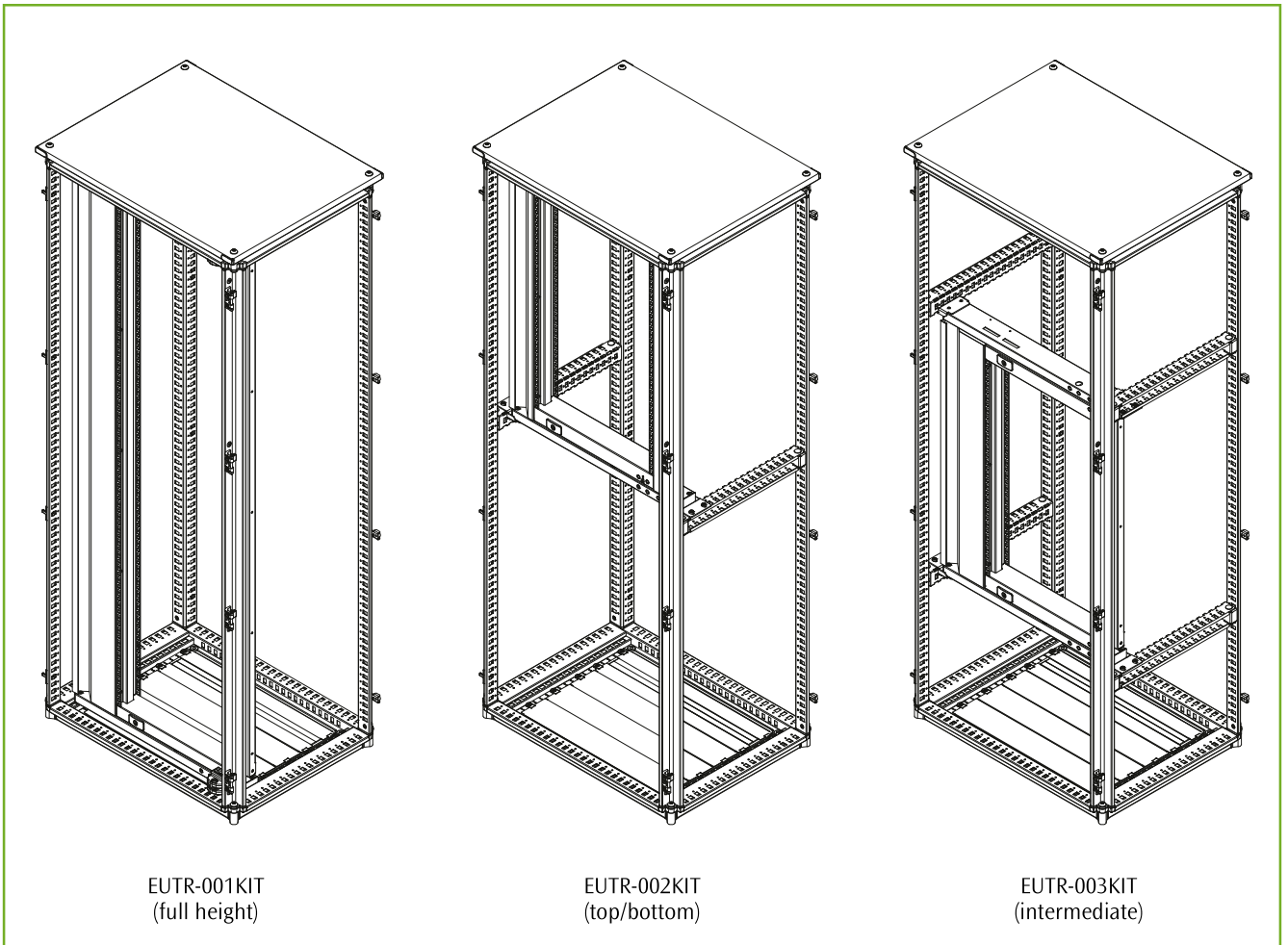
STEP 2 **Choose the cabinet width and complete the frame with horizontal rails**

STEP 3 **Select the position (centered or not) corresponding to the cabinet height and add the side trim panels**

STEP 4 **Choose the assembly (full height, top/bottom, intermediate) and complete with the corresponding mounting kit**

STEP 5 **Complete the configuration with further accessories**

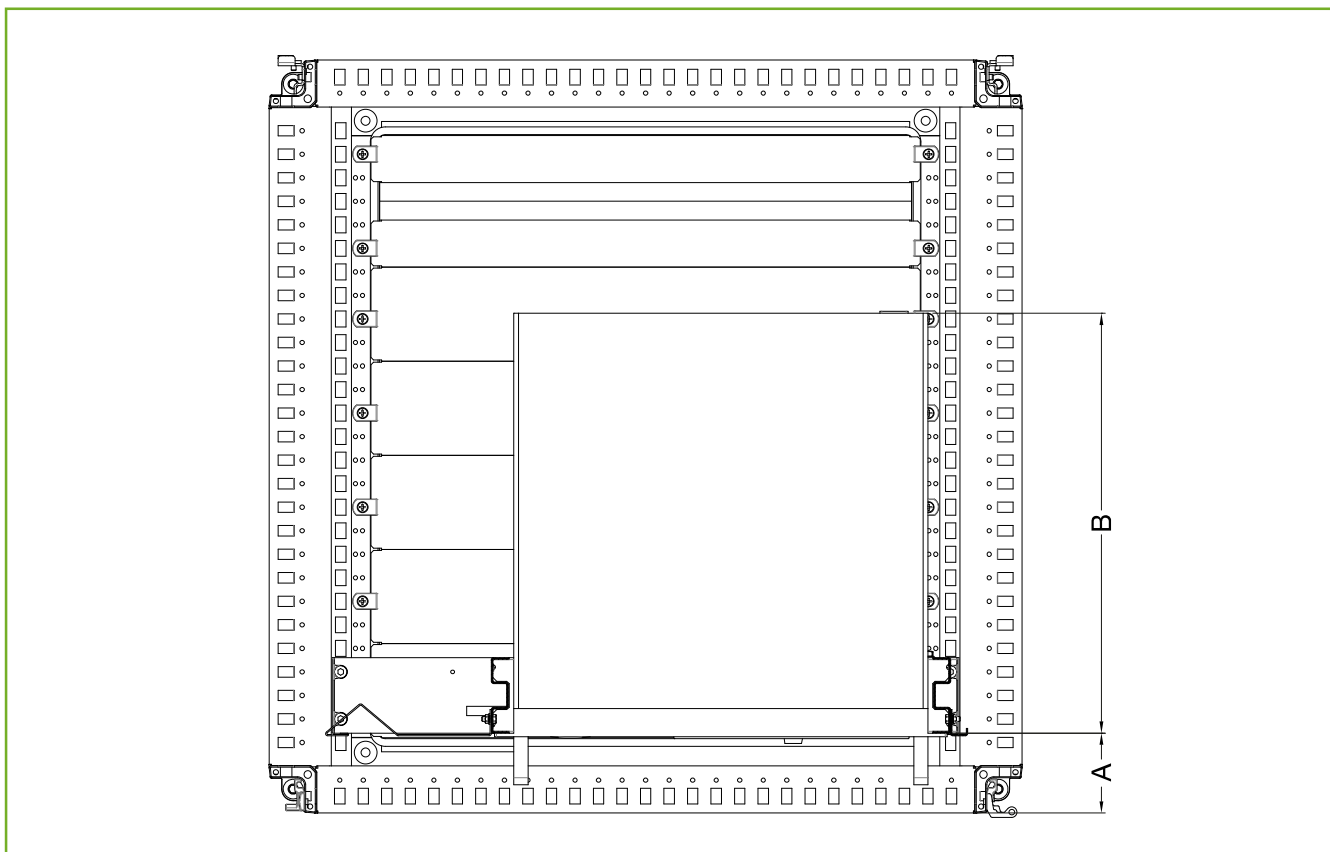
Rack 19"



H CABINET	H FRAME	HE	RACK FRAME CODE			
400	255	4	EUTR0004			
600	455	8	EUTR0008			
800	655	13	EUTR0013			
1000	855	17	EUTR0017			
1200	1055	22	EUTR0022			
1400	1255	26	EUTR0026			
1600	1455	31	EUTR0031			
1800	1655	35	EUTR0035			
2000	1855	40	EUTR0040			
2200	2055	44	EUTR0044			
CABINET WIDTH (mm)		600	800			
Horizontal fixing rails		EUTS000600	EUTS000800			
POSITION		Centered	Centered	Not centered		
Side trim panels		Not needed	EUTA...C	EUTA...D		
ASSEMBLY						
Full height		EUTR-001KIT				
Top/bottom		EUTR-002KIT + Nr. 1 x WTPR-.....CP according to cabinet depth + WTSF-001CP				
Intermediate		EUTR-003KIT + Nr. 1 x WTPR-..... according to cabinet depth + WTSF-001				
HINGES		110°	110°	180°	110°	180°
Code		-	-	EUCE-00180TR	-	EUCE-00180TR
A min. mm		85	85	85	85	85
B max. mm		185	370	300	485	415
LOADING CAPACITY N (*)		1700	1700	1400	1700	1400
FURTHER ACCESSORIES		Rack-stop 110°/135° EUFR-110135				

Rack 19"

(*) For cabinets joined in a suite, the loading capacity can be increased by 60%



STEP 1

Select HE and corresponding rack frame

SWINGING RACK FRAME EUTR

CHARACTERISTICS

Rack frame manufactured from welded mild steel rails and horizontal profiles.

PAINT FINISH

ETA standard finishing cycle: paint-based primer with deposition by cataphoresis with epoxy resin and finishing using thermosetting powders. Colour: RAL 7035 textured finish.

SUPPLY

- rack frame complete with Ø 3mm double bar locking system
- 110° rotating hinges complete with accessories
- closing latches.



SWINGING RACK FRAME		
EUTR CODE	HE	CABINET HEIGHT
EUTR0004	4	400
EUTR0008	8	600
EUTR0013	13	800
EUTR0017	17	1000
EUTR0022	22	1200
EUTR0026	26	1400
EUTR0031	31	1600
EUTR0035	35	1800
EUTR0040	40	2000
EUTR0044	44	2200

🔍 Rack frame 110° opening. For 180° opening, please add hinges EUCE-00180TR

For special painted cabinets, please add N to the code (i.e. EUTR004N).

STEP 2

Rack 19"

Choose the cabinet width and complete the frame with horizontal rails

HORIZONTAL FIXING RAILS FOR RACK FRAME EUTS

CHARACTERISTICS

Horizontal fixing rails manufactured from sheet steel.

PAINT FINISH

ETA standard finishing cycle: paint-based primer with deposition by cataphoresis with epoxy resin and finishing using thermosetting powders. Colour: RAL 7035 textured finish.

SUPPLY

Includes nr. 2 pieces with mounting accessories.



HORIZONTAL FIXING RAILS	
EUTS CODE	CABINET WIDTH
EUTS000600	600
EUTS000800	800

🔍 Further dimensions available on request. I.e. for cabinet W=1200, you can order rack frame W=600+600 or rack frame W=800 not centered.

For special painted cabinets, please add N to the code (i.e. EUTS000600N).

STEP 3

Select the position (centered or not) corresponding to the cabinet height and add the side trim panels

SIDE TRIM PANEL FOR RACK FRAME EUTA

CHARACTERISTICS

Side trim panels (one for hinge side and one for locking system side) manufactured from sheet steel. Valid for W=800mm.

PAINT FINISH

ETA standard finishing cycle: paint-based primer with deposition by cataphoresis with epoxy resin and finishing using thermosetting powders. Colour: RAL 7035 textured finish.

SUPPLY

Includes nr. 2 pieces with mounting accessories.



SIDE TRIM PANELS		
EUTA CODE	POSITION	CABINET HEIGHT
EUTA0004C	CENTERED	400
EUTA0008C	CENTERED	600
EUTA0013C	CENTERED	800
EUTA0017C	CENTERED	1000
EUTA0022C	CENTERED	1200
EUTA0026C	CENTERED	1400
EUTA0031C	CENTERED	1600
EUTA0035C	CENTERED	1800
EUTA0040C	CENTERED	2000
EUTA0044C	CENTERED	2200
EUTA0004D	NOT CENTERED	400
EUTA0008D	NOT CENTERED	600
EUTA0013D	NOT CENTERED	800
EUTA0017D	NOT CENTERED	1000
EUTA0022D	NOT CENTERED	1200
EUTA0026D	NOT CENTERED	1400
EUTA0031D	NOT CENTERED	1600
EUTA0035D	NOT CENTERED	1800
EUTA0040D	NOT CENTERED	2000
EUTA0044D	NOT CENTERED	2200

STEP 4

Choose the assembly (full height, top/bottom, intermediate) and complete with the corresponding mounting kit

MOUNTING KIT FOR RACK FRAME EUTR

CHARACTERISTICS

Different mounting kit according to the selected position of rack frame (top/bottom or intermediate position).

SUPPLY

Includes nr. 2 brackets, nr. 2 supports and closing latches complete with mounting accessories.

MOUNTING KIT FOR RACK FRAME

CODE	ASSEMBLY	ADDITIONAL ACCESSORIES
EUTR-001KIT	FULL HEIGHT	----
EUTR-002KIT	TOP / BOTTOM	Nr. 1 x WTPR-.....CP according to cabinet depth + WTSF-001CP
EUTR-003KIT	INTERMEDIATE	Nr. 1 x WTPR-..... according to cabinet depth + WTSF-001

For special painted cabinets, please add N to the code (i.e. EUTR-...KITN).

STEP 5

Complete the configuration with further accessories

180° HINGES EUCE-00180TR

180° opening hinges for rack frames EUTR.

CHARACTERISTICS

Manufactured from pressed zama.

SUPPLY

Includes nr. 2 pieces.

For hinges in RAL9011 for special painted cabinets, please add N to the code (i.e. EUCE-00180TRN).



Rack 19"

FIXED FRAME EUCR

CHARACTERISTICS

Manufactured from sheet steel. To be used to mount rack equipment.

PAINT FINISH

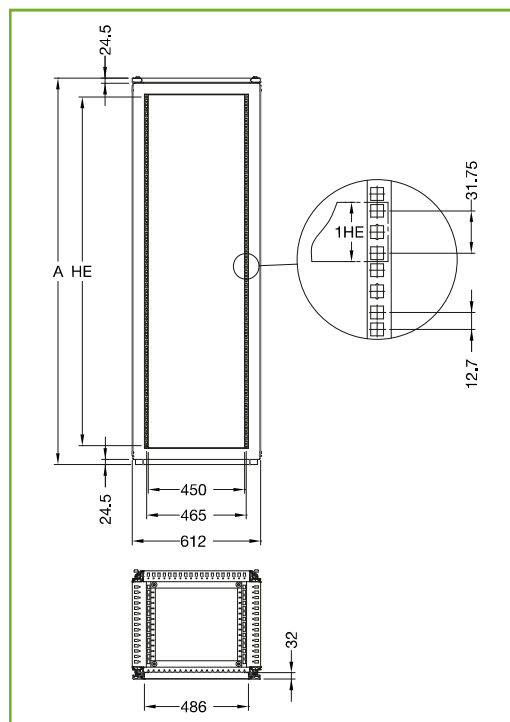
ETA standard finishing cycle: paint-based primer with deposition by cataphoresis with epoxy resin and finishing using thermosetting powders. Colour: RAL 7035 textured finish.



SUPPLY

Includes 1 piece complete with cabinet uprights and mounting accessories.

FIXED FRAME			
EUCR CODE	DIMENSIONS		
	A	H	HE
EUCR028060	1409	1252	28
EUCR032060	1609	1429	32
EUCR037060	1809	1652	37
EUCR041060	2009	1829	41
EUCR046060	2209	2052	46





19" RAILS AEMK

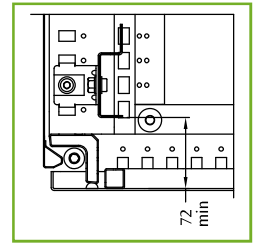
Designed for assembling 19" items or modular equipment on DIN rails.

CHARACTERISTICS

Manufactured from zinc sheet steel.

SUPPLY

Includes nr. 2 pieces.



19" RAILS"	
AEMK CODE	HE
AEMK241200	24
AEMK291400	29
AEMK331600	33
AEMK381800	38
AEMK422000	42
AEMK472200	47

For assembly, add the following:

AEP0070
for L=600 cabinets

AEP0094-95-96-97
for L=800 cabinets

Rack 19"



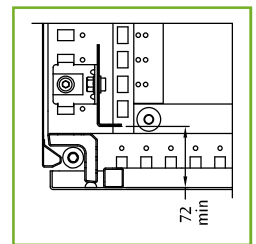
"L" RAILS AERL

CHARACTERISTICS

Manufactured from zinc sheet steel.

SUPPLY

Includes nr. 2 pieces.



"L" RAILS AERL	
AERL CODE	CABINET HEIGHT
AERL241200	24
AERL291400	29
AERL331600	33
AERL381800	38
AERL422000	42
AERL472200	47

For assembly, add the following:

AEP0070
for L=600 cabinets

AEP0094-95-96-97
for L=800 cabinets



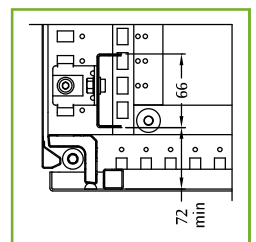
"C" RAILS AERC

CHARACTERISTICS

Manufactured from zinc sheet steel.

SUPPLY

Includes nr. 2 pieces.



"C" RAIL AERC		
AERC CODE	CABINET HEIGHT	HE
AERC241200	1200	24
AERC291400	1400	29
AERC331600	1600	33
AERC381800	1800	38
AERC422000	2000	42
AERC472200	2200	47

For assembly, add the following:

AEP0070
for L=600 cabinets

AEP0094-95-96-97
for L=800 cabinets



DEPTH RAILS

Rails for the mounting of 19" rack uprights on E NUX cabinets W=800 mm. Manufactured from sendzimir sheet steel.



SUPPLY

Includes nr. 4 pieces

DEPTH RAILS	
AEP CODE	DEPTH
AEP0094	600
AEP0095	800
AEP0096	1000
AEP0097	1200



BRACKETS AEP0070

Brackets manufactured from zinc sheet steel, used for the mounting of 19" uprights on cabinets W=600 mm.



SUPPLY

Includes nr. 4 pieces.

Rack 19"



WIDTH RAILS AEP0098

Rails for the mounting of 19" rack uprights (AEMK, AERL, AERC) on E MOX and E VIS cabinets with W=800 mm. Manufactured from sendzimir sheet steel.



SUPPLY

Includes nr. 2 pieces.

 To be ordered separately AEP0070 (nr. 4 pieces) for the assembly of 19" rack rails.

WIDTH RAILS	
AEP CODE	WIDTH
AEP0098	800



FRAME STOP EUFR-110135

It allows the stop of the rack frame at 110°/135° avoiding its accidental closing. To be assembled on top or bottom.

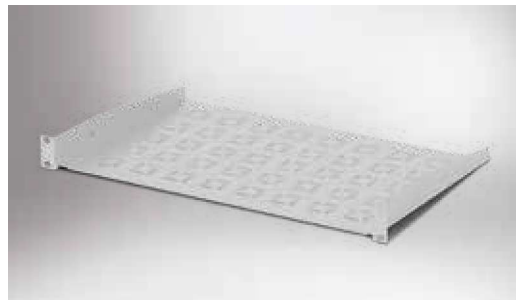


SUPPLY

Includes 1 piece with mounting accessories.



Max loading capacity: 230kg.



Available
BLACK RAL 9011

SHELF FOR FRONTAL FIXING EURI

In addition to the front fixation, this shelf is locked with two other points on the inner side of the 19" profile/rail, to increase the load carrying capacity and the stability. Shelf (2 HE) with ventilation openings. Maximum load carrying capacity: 30 kgs.

CHARACTERISTICS

Manufactured from press bent sheet steel.

PAINT FINISH

ETA standard finishing cycle: paint-based primer with deposition by cataphoresis with epoxy resin and finishing using thermosetting powders. Colour: RAL 7035 textured finish.



SUPPLY

Includes 1 painted piece with mounting accessories.

SHELF FOR FRONTAL FIXING

EURI CODE	SHELF DEPTH
EURI020300	300
EURI020400	400
EURI020500	500
EURI020600	600

Rack 19"



Available
BLACK RAL 9011

FIXED OR SLIDING SHELF EURI

Shelf W=400 mm with ventilation openings manufactured from sheet steel with fixation on four 19" AMK profiles. Fixed shelf: load carrying capacity 70 kgs. Sliding shelf: load carrying capacity 40 kgs.

PAINT FINISH

ETA standard finishing cycle: paint-based primer with deposition by cataphoresis with epoxy resin and finishing using thermosetting powders. Colour: RAL 7035 textured finish.



SUPPLY

Includes 1 piece.

Screws included for fixed-version mounting; for mounting in pull-out version, order the guides separately WTGE.

FIXED OR SLIDING SHELF

EURI CODE	SHELF DEPTH	CABINET DEPTH
EURI000365	365	500
EURI000465	465	600
EURI000565	565	800
EURI000665	665	800
EURI000765	765	1000

SLIDING GUIDES FOR SHELF WTGE

Guides designed for the fixation of the shelf EURI. Load carrying capacity 40 kgs.

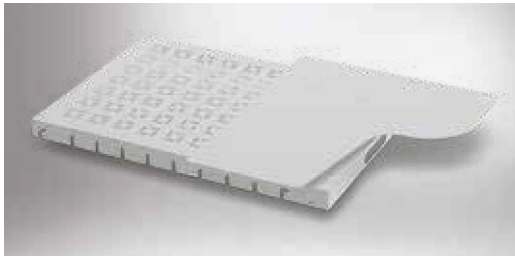
SUPPLY

Includes 2 pieces with fixing accessories (to the cabinet) and mounting accessories of the shelf.



SLIDING GUIDES FOR SHELF

WTGE CODE	SHELF DEPTH	CABINET DEPTH
WTGE-000365	365	600
WTGE-000465	465	600
WTGE-000565	565	800
WTGE-000665	665	800
WTGE-000765	765	1000



EXTENSIBLE SHELF WITH ROTARY SURFACE EURI000500SM

D = 565 mm extensible shelf and rotary surface with mouse pad.

CHARACTERISTICS

Manufactured from press bent sheet steel.

PAINT FINISH

ETA standard finishing cycle: paint-based primer with deposition by cataphoresis with epoxy resin and finishing using thermosetting powders. Colour: RAL 7035 textured finish.



SUPPLY

Includes 1 piece complete with mounting accessories.

Available
BLACK RAL 9011



Available
BLACK RAL 9011



Available
BLACK RAL 9011



Available
BLACK RAL 9011

BLANK CLOSING TRIM PANELS

Used to divide the cold and hot airflow inside the cabinet.

BLANK CLOSING PANELS

CODE SCREWED VERSION EUP	CODE HINGED VERSION EUP	HE
EUP0080	EUP0130	24
EUP0081	EUP0131	29
EUP0082	EUP0132	33
EUP0083	EUP0133	38
EUP0084	EUP0134	42
EUP0085	EUP0135	47

Rack 19"

MULTI-FUNCTION CLOSING PANELS

Multi-functions panels to be completed with the 19" panels available.

CLOSING PANELS WITH CABLE GUIDE RINGS

Panels for cable management already supplied with cable rings.

CLOSING PANELS

CODE MULTI-FUNCTION EUP	CODE WITH GUIDE RINGS EUP	HE
EUP0090	EUP0140	24
EUP0091	EUP0141	29
EUP0092	EUP0142	33
EUP0093	EUP0143	38
EUP0094	EUP0144	42
EUP0095	EUP0145	47

PAINT FINISH

ETA standard finishing cycle: paint-based primer with deposition by cataphoresis with epoxy resin and finishing using thermosetting powders. Colour: RAL 7035 textured finish.



SUPPLY


Includes nr. 2 pieces, for cabinets W=800 mm.

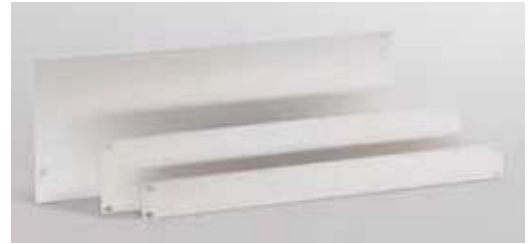
19" PANELS

Manufactured from satinized aluminium or from sheet steel painted in RAL 7035 textured finish.

SUPPLY

Includes 1 piece.

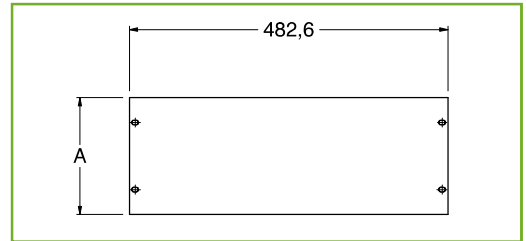
 Order separately WT108 (1 cage nut + 1 screw with ring).



Available
BLACK RAL 9011

RACK PANEL

WA CODE	HE	A
WA115LB	1	43,5
WA116LB	2	88
WA117LB	3	132,5
WA118LB	4	177
WA119LB	5	221,5
WA120LB	6	266
WA121LB	7	310,5
WA122LB	8	355
WA123LB	9	399,5
WA124LB	10	444
WA125LB	11	488,5
WA126LB	12	533



Rack 19"

19" FRONT PANEL WITH OPENING WTPF030024

Designed to lodge equipment fixed on DIN rails. Front panel with modular slot that allows to lodge 24 modules, 18 mm in width and 3 units in height.

CHARACTERISTICS

Manufactured from press bent sheet steel.

PAINT FINISH

ETA standard finishing cycle: paint-based primer with deposition by cataphoresis with epoxy resin and finishing using thermosetting powders. Colour: RAL 7035 textured finish.



SUPPLY

Includes 1 piece with mounting accessories.



Available
BLACK RAL 9011

DIN PROFILE FOR PANEL

Designed for the fixing on 19" rails or swinging rack frame.

CHARACTERISTICS

Manufactured from zinc sheet steel.

SUPPLY

Includes 1 piece with mounting accessories.



DIN PROFILE FOR PANEL

CODE	MOUNTING
EUWA-001	19" rail
EUWA-002	Swinging rack frame

SUPPORT BRACKETS WA990B

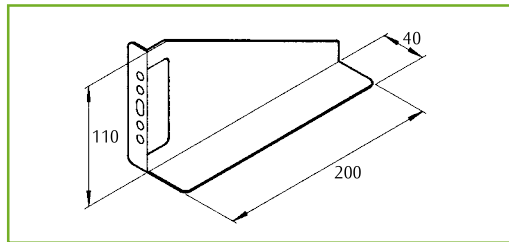
To be assembled on rack frames or “C” rails.

CHARACTERISTICS

Manufactured from press bent sheet steel.

PAINT FINISH

ETA standard finishing cycle: paint-based primer with deposition by cataphoresis with epoxy resin and finishing using thermosetting powders. Colour: RAL 7035 textured finish.



SUPPLY

Includes 2 painted pieces with mounting accessories.

PARTIAL SUPPORT WTSP020200

Designed to support 19” equipment. Compatible with ETA range of rack frames and uprights.

CHARACTERISTICS

Manufactured from press bent sheet steel.

SUPPLY

Includes 2 painted pieces with mounting accessories.



Rack 19”

SUPPORTING GUIDES

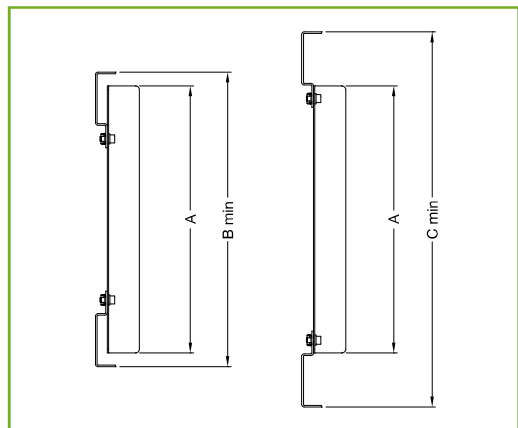
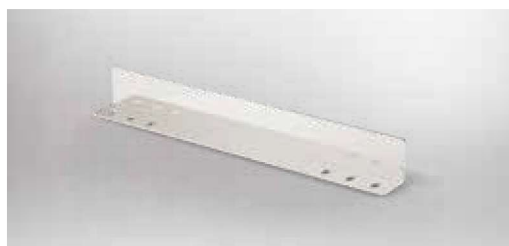
For mounting on EUMK uprights (4pcs).

CHARACTERISTICS

Manufactured from bent sheet steel.

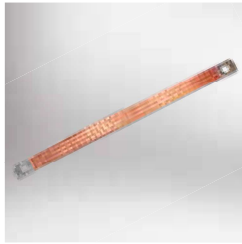
SUPPLY

Includes 2 pieces, with mounting accessories.



SUPPORTING GUIDES

CODE	A	MIN		MAX	
		B	Cabinet Min D	C	Cabinet Min D
AEP0150	232	266	400	366	500
AEP0151	332	366	500	466	600
AEP0152	532	566	800	666	800
AEP0153	732	766	1000	866	1000
AEP0154	932	966	1200	1066	1200



FLEXIBLE COPPER BRAIDS MDCO-TR250

CHARACTERISTICS
For M6 and M8 screws, 250 mm long.

SUPPLY
Includes 10 pieces.



EARTHING COPPER BAR AEP0120

DESCRIPTION
Equipotential copper bar for ground connectors (with isolators) that can be installed along the depth or the width of the cabinet. Manufactured from 20x5 mm copper bars, with M6 threaded holes, 400 mm long.



EARTHING COPPER BAR FOR EQUIPOTENTIAL MEASURES MDSD-CU6X6

Equipotential copper bars for ground connection that can be installed along the depth or the width of the E NUX cabinets.

CHARACTERISTICS
Manufactured from 6x6 copper bar.

SUPPLY
Includes 5 pieces L=2000 mm.

Rack 19"



VENTILATION DRAWER WTDV010500

Designed to incorporate up to 6 fans, to be assembled on 1HE rack (frontal fixing).
Drawer depth=300 mm.

CHARACTERISTICS
Manufactured from press bent sheet steel.

SUPPLY
Includes 1 painted piece (without fans).

Available
BLACK RAL 9011



AXIAL FAN – AEP0249

Suitable for ventilation drawer WTDV010500.
Supplied with grid and cable.
Dimensions 120x120x38 mm
Flow: 165/199 m³/h

SUPPLY
Includes 1 piece

LOW-NOISE FAN – AEP0250

Suitable for ventilation drawer WTDV010500.
Supplied with grid and cable.
Dimensions: 120x120x38 mm
Flow: 122/132 m³/h
Noise level: 37/39dB(A)

SUPPLY
Includes 1 piece



CABLE-ENTRY BRUSH

To be used for an orderly cable entry with dust protection. Special accessory for the cabinet roof. Special application for cable entry plates (to be customized). Assembly using screws.

SUPPLY

Includes 1 piece (length to be determined when ordering).

CABLE-ENTRY BRUSH	
AEP CODE	DIMENSIONS (MM)
AEP0100	600
AEP0101	800



CABLE ENTRY PANEL WITH BRUSH

CHARACTERISTICS

Panel manufactured from bent sheet steel.

SUPPLY

Includes 1 painted piece with mounting accessories.

CABLE ENTRY PANEL WITH BRUSH	
AEP CODE	HE
AEP0040	1
AEP0041	2



PANEL FOR CABLE GUIDE RINGS

CHARACTERISTICS

Manufactured from press bent sheet steel, designed for 5 cable rings.

SUPPLY

Includes 1 painted piece with mounting accessories

PANEL FOR CABLE GUIDE RINGS		
CODE	HE	MATERIAL
AEP0030	1	MILD STEEL

Rack 19"



CABLE GUIDE RINGS WTGC

CHARACTERISTICS

Manufactured from sheet steel painted in RAL9011, with slots on each side, to allow the installation in every positions.

SUPPLY

Includes 10 pieces.

CABLE GUIDE RINGS	
WTGC COE	RING DIMENSIONS (MM)
WTGC-042042	42 x 42
WTGC-042080	42 x 80
WTGC-068096	68 x 96
WTGC-096160	96 x 160



VENTILATION CROSSPIECE FOR EUZE PLINTH

CHARACTERISTICS

Manufactured from press bent sheet steel.

PAINTING

ETA standard finishing cycle: paint-based primer with deposition by cataphoresis with epoxy resin and finishing using thermosetting powders. Colour: RAL 5020 textured finish.

SUPPLY

Includes 2 pieces.



VENTILATION CROSSPIECE FOR EUZE PLINTH	
EUZE CODE	CABINET WIDTH
EUZE-T0600V	600
EUZE-T0800V	800
EUZE-T1000V	1000



VENTILATED DOOR EUPO

Designed to increase heat exchange for the equipment mounted inside the enclosure.*

CHARACTERISTICS

Manufactured from sheet steel, with holes for ventilation and Ø 3mm lever-operated double bar locking system.

PAINTING

ETA standard finishing cycle: paint-based primer with deposition by cataphoresis with epoxy resin and finishing using thermosetting powders. Colour: RAL 7035 textured finish.

PROTECTION RATING

IP2X.

SUPPLY

Door complete with 2 structural uprights and mounting accessories.

VENTILATED DOOR		
EUPO CODE	CABINET DIMENSIONS	
	WIDTH	HEIGHT
EUPO060200AV	600	2000
EUPO080200AV	800	2000

* 61.2% flow-through ventilation.



Rack 19"



ROOF VENTILATION SPACERS WLDI-001

CHARACTERISTICS

Hexagonal pin with M12 threaded hole. 40 mm height.

SUPPLY

Includes 4 pieces.



SCREWS AND CAGE BOLTS WA108

CHARACTERISTICS

M6x16 screws with flat countersunk head, complete with under screw edge.

SUPPLY

Includes 20 screws and 20 cage bolts.



COMPLETE RANGE OF PDU

19" PDU E PDU VERTICALI

- Strong structure manufactured from aluminium.
- Output IEC320-C13 and IEC320-C19.
- Protection, management and control devices protected by wrong operations.
- Temperature limit up to 60°C.
- Paint finish: epoxy-polyester powder coating. Colour: RAL 9004.

Available on request:

- Output according to different markets.
- Different cables and input.

19" PDU

- Height 1 HE.
- Depth-adjustable 19" fixing brackets.
- To be mounted on 19" profiles or on cabinet structure
- Multistandard output (Schuko + Italian 10/16Amp) with angle 45°.
- Cable L=3 mt H05VV-F3Gcx1, 5 mm².



VERTICAL PDU

- Vertical mounting.
- 1-phase or 3-phase up to 16/32Amp.
- Cable 1-phase or 3-phase L=5 mt H05VV with output IEC60309.



COMPLETE RANGE OF PDU

DESCRIPTION	PRODUCT CODE	OUTPUT		A	WATT OR INPUT	TECHNICAL FEATURES	L(mm)
		Q.TY	DESCRIPTION				
19" PDU	AEP0520	9	multistandard	16	3500	-	-
	AEP0521	8	multistandard	16	3500	switch indicator lamp	-
	AEP0522	6	multistandard	16	3500	thermal magnetic switch lamp BIP16A	-
	AEP0523	13	multistandard	16	3500	-	-
	AEP0524	13	multistandard	16	3500	switch indicator lamp	-
	AEP0525	12	multistandard	16	3500	thermal magnetic switch lamp BIP16A	-
	AEP0526	9	C13	10	2500	switch indicator lamp	-
	AEP0527	8	C19	16	3500	-	-
	AEP0528	8	multistandard	16	3500	ammeter	-
	AEP0529	8	C13	10	2500	ammeter	-
	AEP0530	8	C19	16	3500	ammeter	-
AEP0531	5	multistandard	16	3500	switch indicator lamp and multistandard pdu controlled with thermostat	-	
VERTICAL PDU	AEP0540	16	C13	16	1-phase 230 Vac	thermal magnetic switch lamp BIP16A + ammeter	1139
		6	C19				
	AEP0541	16	C13	32	1-phase 230 Vac	thermal magnetic switch lamp BIP16A + ammeter	1139
		6	C19				
	AEP0542	24	C13	32	1-phase 230 Vac	thermal magnetic switch lamp BIP16A + ammeter	1582
		9	C19				
	AEP0543	9	21	C13	32	1-phase 230 Vac	nr. 3 thermal magnetic switch lamp BIP32A + 1 switch indicator lamp + nr. 3 ammeter
9			C19				
3			C19				

Rack 19"