



CHARACTERISTICS

Enclosure and door manufactured AISI 304L stainless steel sheet (AISI 316L upon request). Mounting plate manufactured from sendzimir sheet steel. Stainless steel hinges.

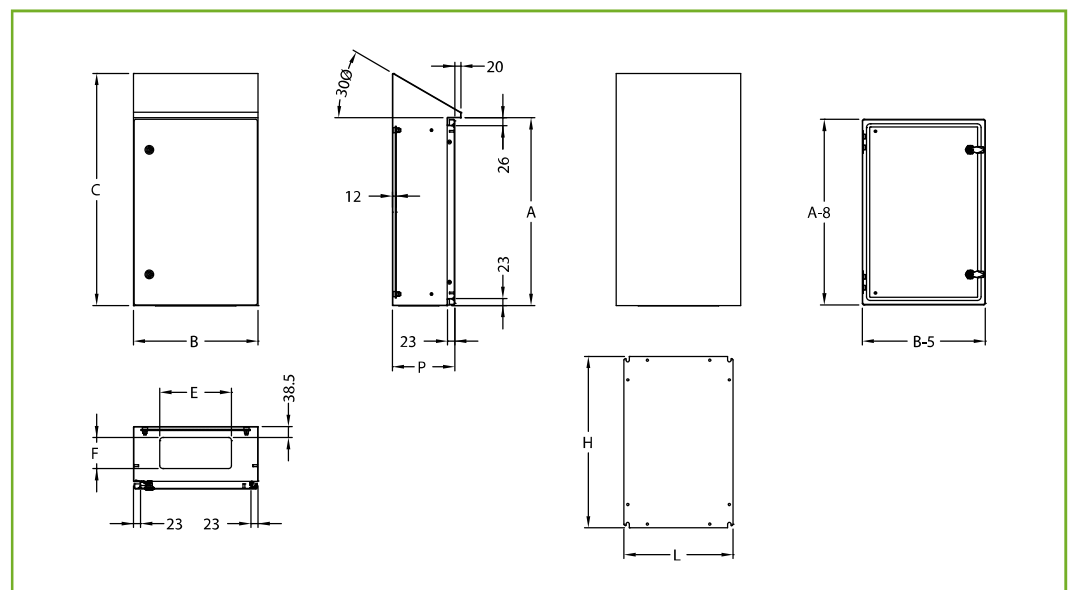
SUPPLY

The enclosure is supplied with:

- mounting plate
- door with locking system (box and insert in zinc alloy, lever in stainless steel) with Ø 3mm double bar keyset of screws for grounding and mounting plate assembling
- cable entry plate.

PROTECTION RATING

- IP66 complying with IEC EN62208; EN62262
- NEMA 4X complying with UL508A; UL50
- impact resistance IK10 complying with IEC EN62208; EN62262.



Stainless steel

STAINLESS STEEL BOXES WITH SLOPED ROOF

CODE UNTIL 31/05/2022	CODE FROM 01/06/2022	BOX DIMENSIONS				CABLE ENTRY		MOUNTING PLATE		NO. OF LOCKS / TYPE
		B	A	P	C	E	F	L	H	
ECOR4-515TX	EC040515X.T	400	503	150	617	230	50	350	450	1
ECOR4-620TX	EC040620X.T	400	603	200	745	230	100	350	550	2
ECOR5-730TX	EC040730X.T	500	703	300	903	330	100	450	650	2
ECOR6-825TX	EC060825X.T	600	803	250	974	430	100	550	750	2
ECOR8-1025TX	EC081025X.T	800	1003	250	1174	530	100	750	950	2
ECOR8-1030TX	EC081030X.T	800	1003	300	1203	530	100	750	950	2
ECOR8-1230TX	EC081230X.T	800	1203	300	1403	530	100	750	1150	ROD SYSTEM

Until May 31, 2022, add the "H" suffix to the code to order the AISI316L steel item (I.e.: ECOR6-825TXH). After June 1, 2022, replace the "X" suffix with an "H" to order the AISI316L steel item (I.e.: EC060825H.T).