



## SUSPENSION ARM SYSTEM

### FEATURES

Bioniq is the pendant system for control interfaces that is presented to combine design and technology. It is designed as a real “system”, manufactured from aluminium alloy and uses its modularity on the three dimensional axes.

- The BQC operator panel enclosure and the BQK keyboard enclosure are customizable in width, height and depth, on the base of the man-machine interface that have to be inserted.

- The BQPA pendant arm system can be composed on the base of the type of application (it can be fixed on the roof, on the wall or on pedestal).
- Wide range of accessories.

Suspension arm system





## CHARACTERISTICS

Structure made from alloyed aluminium with extruded profiles joined by means of die-cast angular pieces.

## PAINT FINISH

ETA standard finishing cycle: paint-based primer with deposition by cataphoresis with epoxy resin and finishing using thermosetting powders. Colour: RAL 9006 silver.



## PROTECTION RATING

NEMA 1 in compliance with UL508A; UL50.

## SELECTION

To select the operator panel enclosure, indicate the generic family code, classified according to depth as in the table hereunder, and simply indicate the width and height dimensions. When ordering, also specify if the suspension arm shall be fixed to the roof (T) or bottom (B) of the enclosure or if it is a desk version (P).

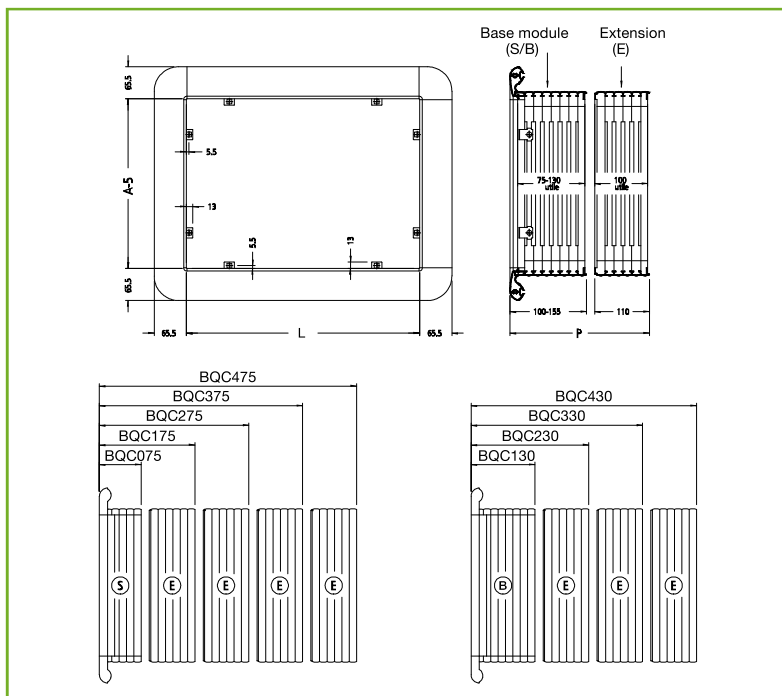
## WIDTH AND HEIGHT

Thanks to a high degree of customization, you can choose the width (L) and the height (A) of the operator panel on the base of the equipment that have to be inserted.

## DEPTH

The enclosure depth must be selected from the base modules with two different depths, as follows:

- small module (S) with useful internal depth of 75 mm
  - big module (B) with useful internal depth of 130 mm.
- The base modules can be expanded with extensions (E) with useful internal depth of 100 mm.



## SELECTION PROCEDURE

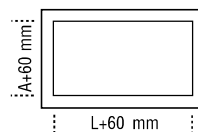
					W+60 mm	H+60 mm	T/B/P
S	B	Q	C	0 7 5			
B	B	Q	C	1 3 0			
S + E	B	Q	C	1 7 5			
B + E	B	Q	C	2 3 0			
S + 2E	B	Q	C	2 7 5			
B + 2E	B	Q	C	3 3 0			
S + 3E	B	Q	C	3 7 5			
B + 3E	B	Q	C	4 3 0			
S + 4E	B	Q	C	4 7 5			

T = fixing of BQPA pendant arm system on BQC enclosure roof

B = fixing of BQPA pendant arm system on BQC enclosure bottom

P = fixing of BQC enclosure on the desk.

- All dimensions are given in mm
- For dimensions above 999 mm, please contact the ETA sales office
- Complete the configuration with BQBP rear panel, BQWA-003 hinges and BQFR front panel if necessary
- The minimum depth of the BQC operator panel enclosure shall be 130 mm (if the BQPA pendant arm system is used)



Suspension arm system



## CHARACTERISTICS

Structure made from alloyed aluminium with extruded profiles joined by means of die-cast angular pieces.

## PAINT FINISH

ETA standard finishing cycle: paint-based primer with deposition by cataphoresis with epoxy resin and finishing using thermosetting powders. Colour: RAL 9006 silver.



## PROTECTION RATING

NEMA 1 in compliance with UL508A; UL50.

## SELECTION

To select the keyboard enclosure, indicate the generic family code, classified according to depth, and indicate the width and height dimensions.

## WIDTH AND HEIGHT

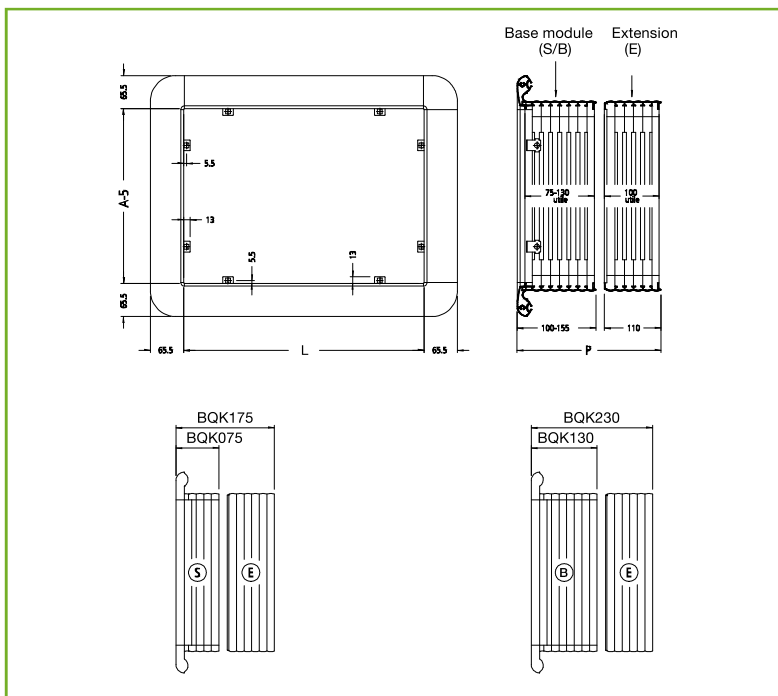
Thanks to a high degree of customization, you can choose the width (L) and the height (A) of the operator panel on the base of the equipment that have to be inserted.

## DEPTH

The enclosure depth must be selected from the base modules with two different depths, as follows:

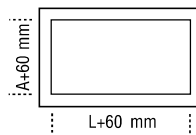
- small module (S) with useful internal depth of 75 mm
  - big module (B) with useful internal depth of 130 mm.
- The base modules can be expanded with extensions (E) with useful internal depth of 100 mm.

To be ordered separately the joining profile to the operator panel enclosure BQPU-001 and the rubber sleeve BQM-001 for cable passage (as an alternative to BQPU-001, order the 90-degree connection bracket BQKU-003, see page 279).

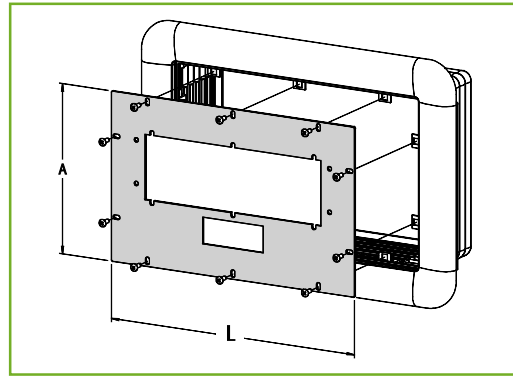


## SELECTION PROCEDURE

		W+60 mm	H+60 mm
S	B Q K 0 7 5		
B	B Q K 1 3 0		
S + E	B Q K 1 7 5		
B + E	B Q K 2 3 0		



- All dimensions are given in mm
- Complete the configuration with BQBP rear panel, BQWA-003 hinges and BQFR front panel if necessary (see page 274)



🔍 If required, specify the size of the holes to be drilled in the panel.  
Fixing kit BQFK-001 for the front panel assembly to be ordered separately.

### FRONT PANEL BQFR-001

#### CHARACTERISTICS

Panel manufactured from sheet aluminium, it can be screwed from outside through special holes.

#### PAINT FINISH

ETA standard finishing cycle: paint-based primer with deposition by cataphoresis with epoxy resin and finishing using thermosetting powders. Colour: RAL 9006L.

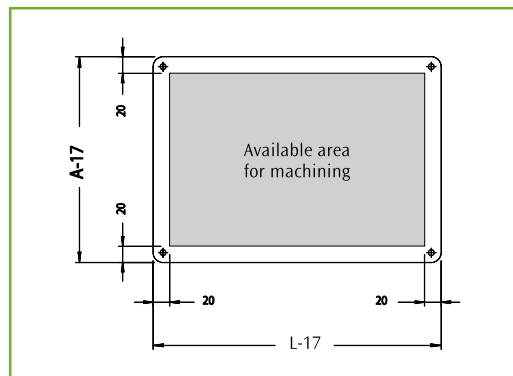


#### SUPPLY

Panel complete with mounting accessories.

#### SELECTION

According to customer specifications, with dimensions given in millimeters, ETA manufactures the drilled front panel and the corresponding operator panel enclosure BQC.



🔍 If a hinged panel is required, specify this option in the order and order the BQWA-003 hinges separately (see page 279).  
For the desk configuration with direct fixing, order the rear panel BQBP-002.

### REAR PANEL BQBP-001 / BQBP-002

#### CHARACTERISTICS

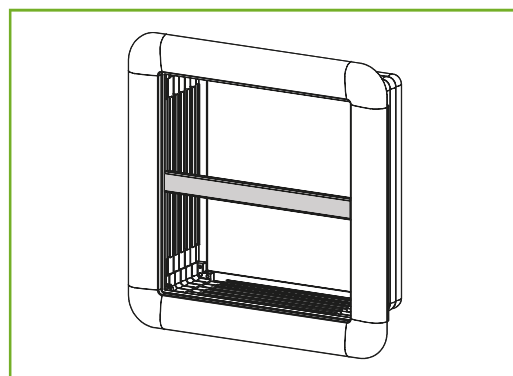
Panel manufactured from non-painted sheet aluminium, it can be screwed from outside through special holes.

#### SUPPLY

Single panel complete with mounting accessories.

#### SELECTION

According to customer specifications, with dimensions given in millimeters, ETA manufactures the rear panel.



### SEPARATION PROFILE BQPR-001

It allows to divide the operator panel enclosure into two areas and it can be installed vertically and horizontally.

#### CHARACTERISTICS

Manufactured from sheet steel.

#### PAINT FINISH

ETA standard finishing cycle: paint-based primer with deposition by cataphoresis with epoxy resin and finishing using thermosetting powders. Colour: RAL 9006 silver.



#### SUPPLY

Single piece complete with mounting accessories.

#### SELECTION

The separation profile dimensions match the BQFR front panel dimensions.



## SUSPENSION ARM SYSTEM

### FEATURES

Bioniq light is the pendant system for control interfaces with a sober and essential design: a flexible system with a high quality/price ratio and fully modular on the three dimensional axes.

- The BQLC operator panel enclosure and the BQLK keyboard enclosure are customizable in width, height and depth, on the base of the man-machine interface that have to be inserted.

- The BQPA pendant arm system can be composed on the base of the type of application (it can be fixed on the roof, on the wall or on pedestal).
- Wide range of accessories.

Suspension  
arm system





## CHARACTERISTICS

Structure manufactured from anodized aluminium from extruded profiles, joined by means of die-cast and painted angular pieces.

## PROTECTION RATING

NEMA 1 in compliance with UL508A; UL5 0.

## SELECTION

To select the light operator panel enclosure BQLC, indicate the generic family code, classified according to depth as in the table hereunder, and simply indicate the width and height dimensions. When ordering, also specify if the suspension arm shall be fixed to the roof (T) or bottom (B) of the enclosure or if it is a desk version (P).

## WIDTH AND HEIGHT

Thanks to a high degree of customization, you can choose the width (L) and the height (A) of the operator panel on the base of the equipment that have to be inserted.

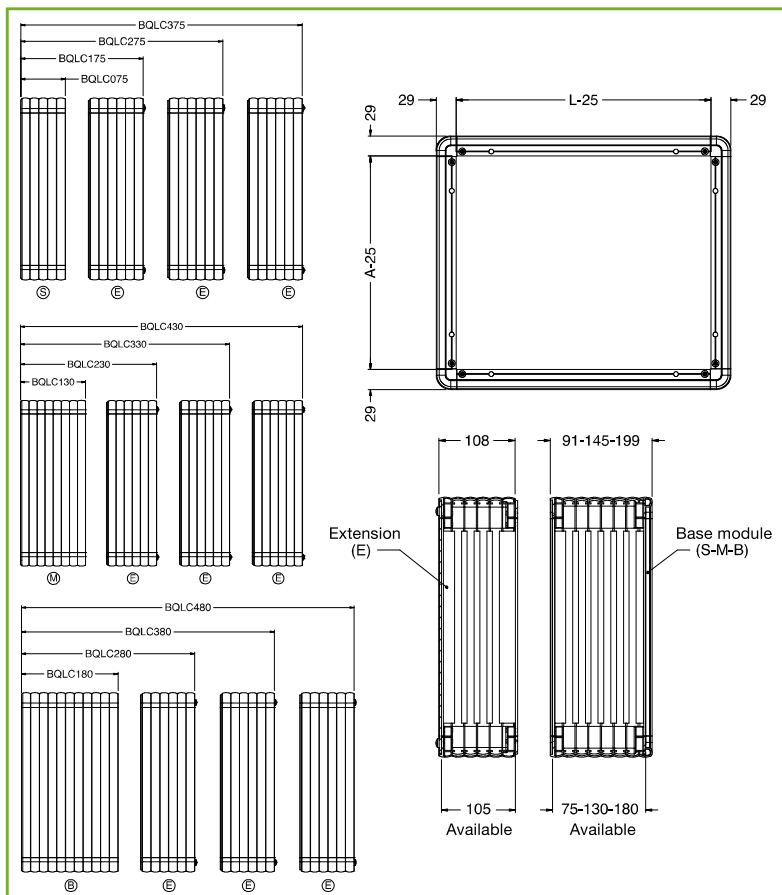
## DEPTH

The enclosure depth must be selected among modules with three different depths:

- small module (S) with useful internal depth of 75 mm
- medium module (M) with useful internal depth of 130 mm
- big module (B) with useful internal depth of 180 mm.

The base modules can be expanded with extensions (E) with useful internal depth of 100 mm.

BQLH handles to be ordered separately (see page 278).



## SELECTION PROCEDURE

		W+60 mm	H+60 mm	T/B/P
S	B Q L C 0 7 5			
M	B Q L C 1 3 0			
B	B Q L C 1 8 0			
S + E	B Q L C 1 7 5			
M + E	B Q L C 2 3 0			
B + E	B Q L C 2 8 0			
S + 2E	B Q L C 2 7 5			
M + 2E	B Q L C 3 3 0			
B + 2E	B Q L C 3 8 0			
S + 3E	B Q L C 3 7 5			
M + 3E	B Q L C 4 3 0			
B + 3E	B Q L C 4 8 0			

T = fixing of BQPA pendant arm system on BQLC enclosure roof

B = fixing of BQPA pendant arm system on BQLC enclosure bottom

P = fixing of BQLC enclosure on the desk

- All dimensions are given in mm
- For dimensions above 999 mm, please contact the ETA sales office
- Complete the configuration with BQLBP rear panel, and if needed with BQWA-003 hinges and BQFR front panel if the unit is not fixed directly to the enclosure
- The minimum depth of the BQLC operator panel enclosure shall be 130 mm (if a pendant arm system is used)

Suspension arm system



## CHARACTERISTICS

Structure manufactured from anodized aluminium from extruded profiles, joined by means of die-cast and painted angular pieces.

## PROTECTION RATING

NEMA 1 in compliance with UL508A; UL50.

## SELECTION

To select the keyboard housing BQLK, indicate the generic family code, classified according to depth as in the table hereunder, and simply indicate the width and height dimensions.

## WIDTH AND HEIGHT

Thanks to a high degree of customization, you can chose the width (L) and the height (A) of the operator panel on the base of the equipment that have to be inserted.

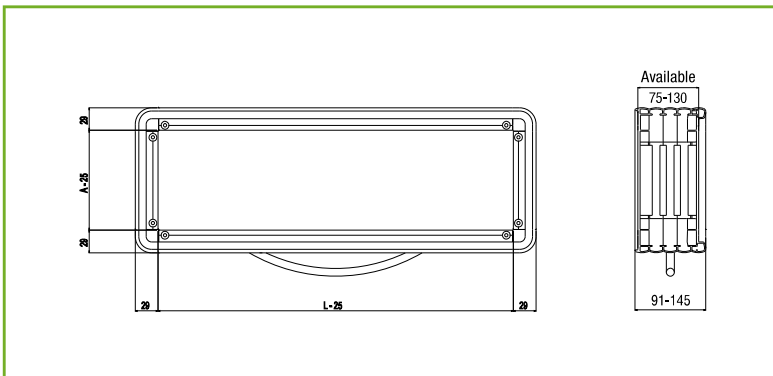
## DEPTH

The enclosure depth must be selected among modules with two different depths:

- small module (S) with useful internal depth of 75 mm
- medium module (M) with useful internal depth of 130 mm.

In this case, the extension modules cannot be used.

To be ordered separately: the joining profile, the operator panel enclosure BQLKU-001, the rubber sleeve BQLM-001 for cable passage and the handles BQLH, see page 278. As an alternative to BQLKU-001, order the 90-degree connection bracket BQLKU-004 coupled with rubber sleeve BQM-001.



## SELECTION PROCEDURE

	W+60 mm	H+60 mm
B Q L K 0 7 5		
B Q L K 1 3 0		

- All dimensions are given in mm
- For dimensions above 999 mm, please contact the ETA sales office
- Complete the configuration with BQLBP rear panel, and if needed with BQ-WA-003 hinges and BQFR front panel if the unit is not fixed directly to the enclosure

### FRONT PANEL BQLFR-001

#### CHARACTERISTICS

Panel manufactured from aluminium sheet, it can be screwed from inside through the studs welded on the panel.

#### PAINT FINISH

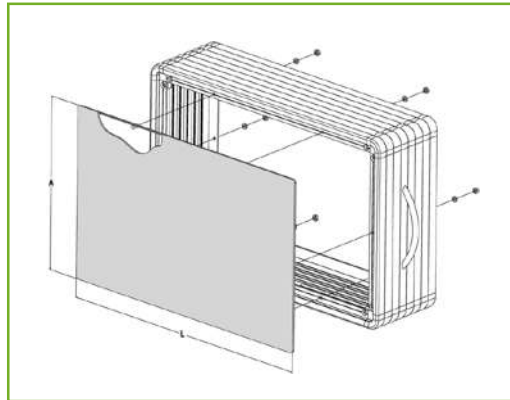
ETA standard finishing cycle: paint-based primer with deposition by cataphoresis with epoxy resin and finishing using thermosetting powders. Colour: RAL 9006L.



#### SUPPLY

Includes 1 panel complete with mounting accessories.

Fixing kit BQLFK-001 for the front panel assembly to be ordered separately.



#### SELECTION

According to customer specifications, with dimensions given in millimeters, ETA manufactures the drilled front panel and the corresponding operator panel housing BQLC.

If required, specify the size of the holes to be drilled in the panel.

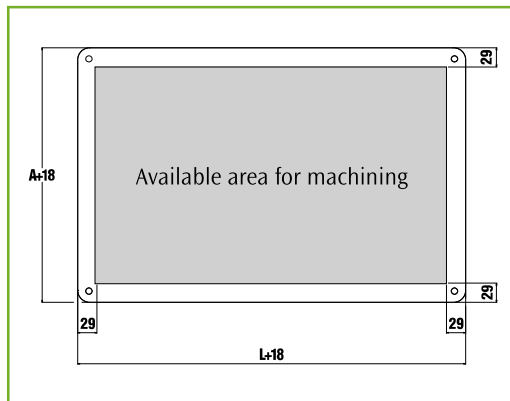
### REAR PANEL BQLBP-001

#### CHARACTERISTICS

Panel manufactured from non-painted aluminium sheet, it can be screwed from inside through the studs welded on the panel.

#### SUPPLY

Includes 1 panel complete with mounting accessories.



#### SELECTION

According to customer specifications, with dimensions given in millimeters, ETA manufactures the rear panel.

If a hinged panel is required, specify this option in the order and order the BQWA-003 hinges separately.

### SEPARATION PROFILE BQLPR-001

It allows to divide the operator panel enclosure into two areas; it can be installed vertically and horizontally.

#### CHARACTERISTICS

Manufactured from sheet steel.

#### PAINT FINISH

ETA standard finishing cycle: paint-based primer with deposition by cataphoresis with epoxy resin and finishing using thermosetting powders. Colour: RAL 9006 silver.



#### SUPPLY

Includes 1 piece complete with mounting accessories.



#### SELECTION

The separation profile dimensions match the BQLFR front panel dimensions.

### BQLH HANDLE

#### CHARACTERISTICS

Handle made from alloyed steel.

#### PAINT FINISH

ETA standard finishing cycle: paint-based primer with deposition by cataphoresis with epoxy resin and finishing using thermosetting powders. Colour: RAL 9006 silver.



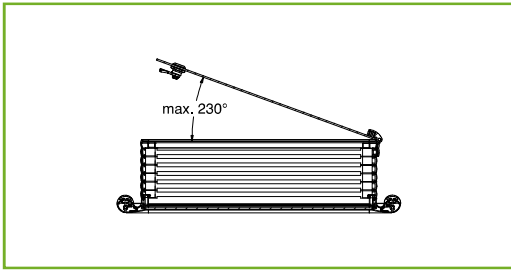
#### SUPPLY

Includes 1 piece with mounting accessories:

- BQLH-001 handle L=150 mm
- BQLH-002 handle L=225 mm
- BQLH-004 handle L=360 mm.







**HINGE BQWA-003**

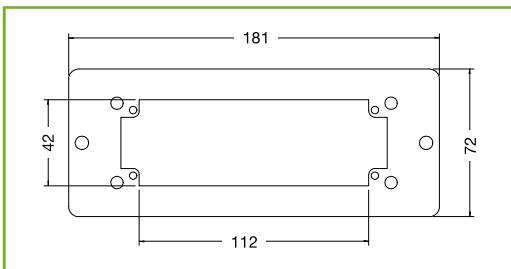
It allows to open the rear panel BQPB and BQLBP.

**CHARACTERISTICS**

Manufactured from alloyed zinc, it opens at 230°.

**SUPPLY**

Includes 1 piece complete with mounting accessories.

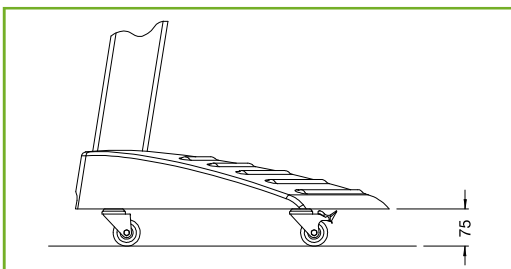


**FLANGE FOR FLOPPY DISK DOOR SIEMENS BQFD-002**

Flange manufactured from sheet aluminium to contain the Siemens CNC. It allows to lodge the device on the side of the enclosure.

**SUPPLY**

Includes 1 piece.



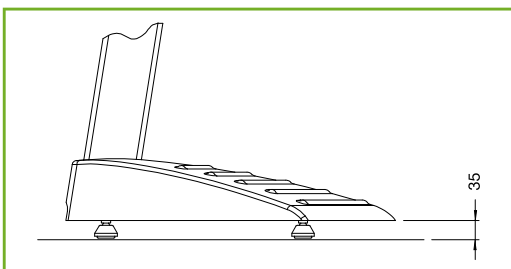
**CASTOR FOR BIONIQ DESK BQRU-001**

**CHARACTERISTICS**

Support of pressed sheet metal with chrome-plated zinc details; high-quality polyamide castor.

**SUPPLY**

Includes 1 piece complete with mounting hardware.



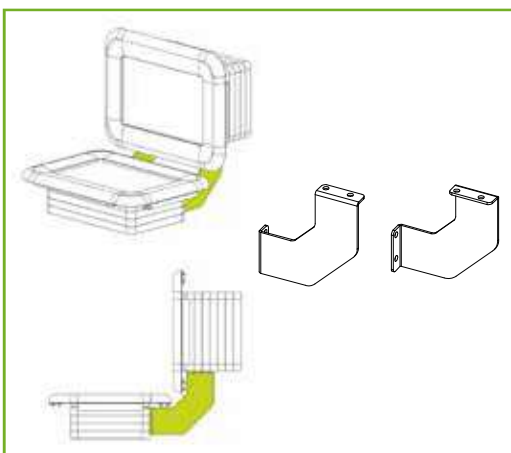
**FOOT FOR BIONIQ DESK BQPL-001**

**CHARACTERISTICS**

Swivelling foot consisting of a polyamide base and a galvanized steel support.

**SUPPLY**

Includes 1 piece.



**SQUARE-ANGLE CONNECTION BRACKET FOR BIONIQ BQKU-003 FOR BIONIQ LIGHT BQLKU-004**

It allows to fix a keyboard to the operator panel enclosure of the bioniq/bioniq light system at 90°.

**CHARACTERISTICS**

Bracket made from sheet steel.

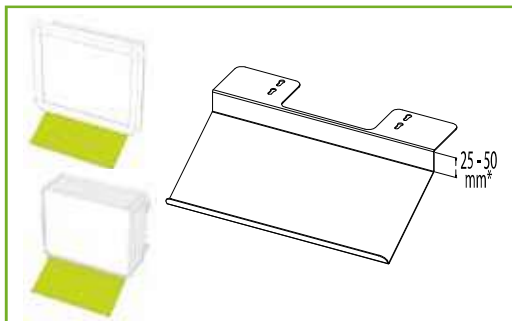
**PAINT FINISH**

ETA standard finishing cycle: paint-based primer with deposition by cataphoresis with epoxy resin and finishing using thermosetting powders. Colour: aluminium coating RAL 9006.

**SUPPLY**

Includes 2 pieces complete with mounting hardware.





### KEYBOARD SUPPORT FOR BIONIQ BQSK-001 FOR BIONIQ LIGHT BQLSK-001

It allows to fix a keyboard to the operator panel enclosure of the bioniq/bioniq light system.

#### CHARACTERISTICS

Manufactured from sheet steel.

#### PAINT FINISH

ETA standard finishing cycle: paint-based primer with deposition by cathoresis with epoxy resin and finishing using thermosetting powders. Colour: aluminium coating RAL 9006.

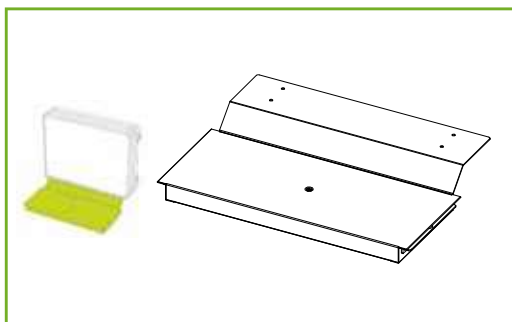


When ordering, indicate the keyboard footprint (WxD in mm).

\* Height of profile for bioniq light 25 mm, height of profile for bioniq 50 mm.

#### SUPPLY

Includes 1 piece complete with screws to fix to the enclosure.



### KEYBOARD SHELF WITH MOUSE PAD FOR BIONIQ BQRM-001 FOR BIONIQ LIGHT BQLRM-001

#### CHARACTERISTICS

Keyboard shelf with mouse pad manufactured from sheet steel, fixing bracket manufactured from sheet steel.

#### PAINT FINISH

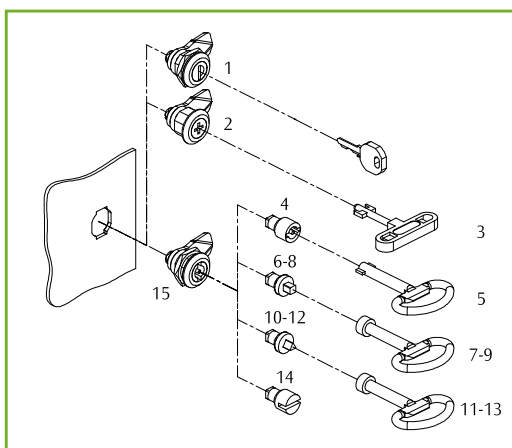
ETA standard finishing cycle: paint-based primer with deposition by cathoresis with epoxy resin and finishing using thermosetting powders. Colour: aluminium coating RAL 9006.



When ordering, indicate the keyboard footprint (WxD in mm).

#### SUPPLY

Includes 1 piece complete with screws to fix to the enclosure.



### LOCKING SYSTEMS

The locking systems for bioniq and bioniq light are conceived for the secure locking of the rear panel.

#### SUPPLY

Each lock consists of a key, an insert and a block with fixing lever.

Suspension arm system

### LOCKING SYSTEM

LOCKSET CODE FOR PANEL FIXING BWE	REF.	DESCRIPTION
BWE030	1	LOCK WITH KEY
BWE050	2	FIAT LOCK
BWE210	3	FIAT KEY
BWE010	4	ETA INSERT
BWE096	5	ETA KEY
BWE060	6	INSERT $\nabla$ 6 MM
BWE260	7	KEY $\nabla$ 6 MM
BWE070	8	INSERT $\nabla$ 7 MM
BWE268	9	KEY $\nabla$ 7 MM
BWE080	10	INSERT $\nabla$ 6.5 MM
BWE273	11	KEY $\nabla$ 6.5 MM
BWE090	12	INSERT $\nabla$ 8 MM
BWE278	13	KEY $\nabla$ 8 MM
BWE100	14	SCREW DRIVER INSERT
BWE140	15	LOCK WITHOUT INSERT



The elegant, innovative and functional design concepts of bioniq are available also in the pedestal system, a solution that allows to fix the operator panel and keyboard enclosure to the pedestal for both standard and light options. The fixing can be:

- direct (fig. B for the standard option and D for the light option)
- on the profile through a flange (fig. A for the standard option and C for the light option).

### CHARACTERISTICS

The pedestal is manufactured from the following materials: base of sheet steel, base cover of thermoformed material, pedestal section of extruded aluminium.

### PAINT FINISH

ETA standard finishing cycle: paint-based primer with deposition by cathoresis with epoxy resin and finishing using thermosetting powders. Color: silver RAL 9006.

- base cover of thermoformed material colour Pantone 2717U.
- pedestal flange BQFC and mouting flange BQF010: medium gray.



### SUPPLY

For the composition of the pedestal system, see selection method for:

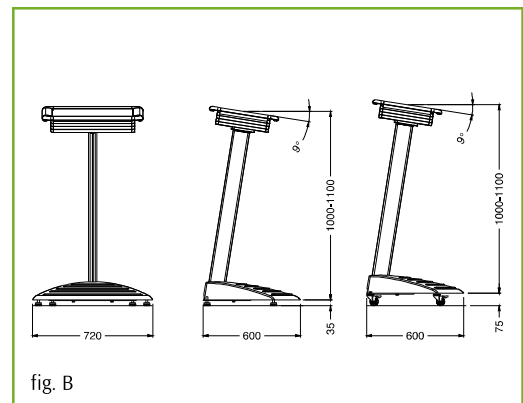
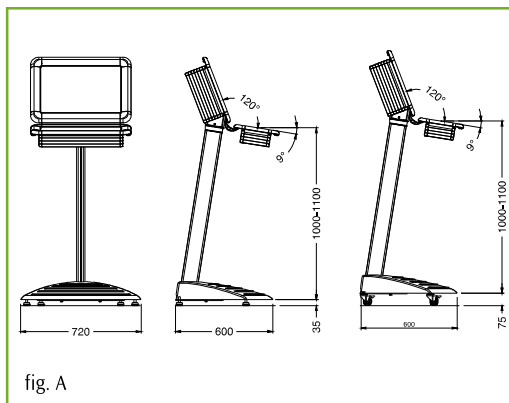
- operator panel enclosure (BQC or BQLC)
- optional keyboard enclosure (BQK or BQLK)
- pedestal base BQBA-001 (with feet) or BQBA-002 (with wheels) and pedestal section BQSU (see page 302).

For applications as the ones showed in pictures A and C, order separately the pedestal flange BQFC-002.

For application as the ones showed in pictures B and D, order separately the flange BQF010 and the adapter panel BQBP-002 or BQLBP-002 (see page 302).

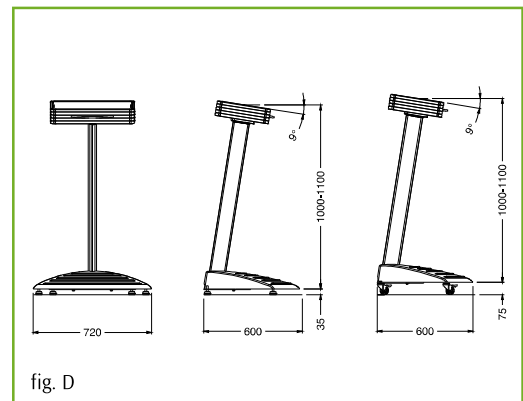
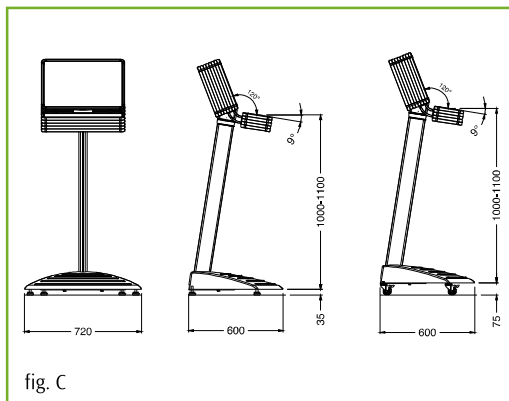
## BIONIQ PEDESTAL SYSTEM

Dimensions of the height do not include castors or feet (for these components see the drawings on page 302).



## BIONIQ LIGHT PEDESTAL SYSTEM

Dimensions of the height do not include castors or feet (for these components see the drawings on page 302).



Suspension arm system

## DESK BASE BQBA

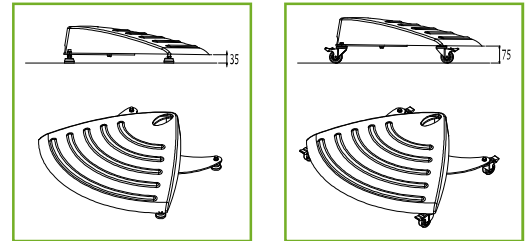
BQBA CODE	DESCRIPTION
BQBA-001	WITH FEET
BQBA-002	WITH CASTORS

## PEDESTAL BASE BQBA

The base for bioniq on pedestal is available in two alternative versions:

- desk base complete with 3 levelling feet without front panel.
- desk base complete with 3 castors and front panel.

🔍 To replace 1 foot order 1 BQBL-001 (see page 279); to replace 1 wheel without block order 1 BQRU-001 (see page 279); to replace 1 wheel with block order 1 BQRU-002.



## PEDESTAL SECTION BQSU

The bioniq pedestal section is available in two different heights.

🔍 Supports with different heights available upon request. For fixing as shown in Fig. A/C, complete the order with the desk flange BQFC (see page 284). Instead, for direct fixing as shown in Fig. B/D, order the adapter panel BQBP-002 and the corresponding flange BQF010 (see page 282).

## PEDESTAL SECTION BQSU

BQSU CODE	HEIGHT FROM BASE TO KEYBOARD ENCLOSURE
BQSU-001	1000
BQSU-002	1100

## REAR PANEL FOR SECTION FIXING BQBP-002/BQLBP-002

The rear panel, properly drilled, allows to fix the pedestal section directly to the enclosure (as shown in Fig. B/D).

🔍 For more information about the panel, please check on page 274 and 278.

Complete the order with the corresponding flange BQF010 (check on page 282).

## REAR PANEL BQBP/BQLBP

BQBP/BQLBP CODE	DESCRIPTION
BQBP-002	DIRECT FIXING ON BIONIQ
BQLBP-002	DIRECT FIXING ON BIONIQ LIGHT

## PEDESTAL FLANGE BQFC

Designed to guide cables from the support to the operator panel enclosure BQC, it is made from cast aluminium.

🔍 For product codes and further technical details, check on page 284.



fig. 1 - BQFC-001



fig. 2 - BQFC-002