



Sol. 1

The operator interface housing based on BEC is designed to meet the requirements of convenience combined with easy use. Two solutions are available:

- simple enclosure with handles fixed on the door (Sol. 1)
- simple enclosure with handles fixed on the enclosure structure without applied panel (Sol. 2).

CHARACTERISTICS

Enclosure and door manufactured from sheet steel. The upper part of the enclosure is provided with a hole to fix the pendant arm system.

SUPPLY

- Housing supplied with:
- enclosure and door complete with \varnothing 3 mm double bar locking system
 - two handles complete with mounting accessories
 - mounting screws.

PAINT FINISH

ETA standard finishing cycle: paint-based primer with deposition by cataphoresis with epoxy resin and finishing using thermosetting powders:

- Enclosure and door: colour RAL 7035 textured finish.



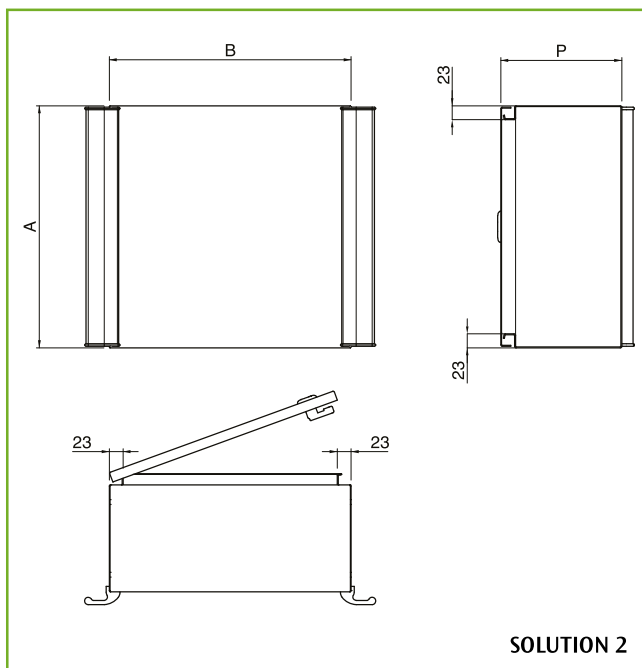
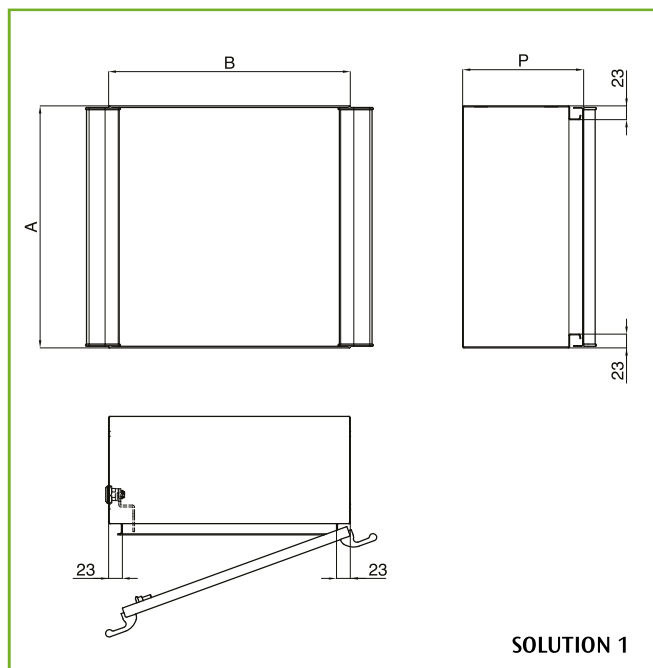
PROTECTION RATING

- IP55 complying with IEC EN62208; EN62262.
- NEMA 1 complying with UL508A; UL50.

Mounting plate available on request profile BSTPROF200 (supply includes nr. 4 pieces) for BEC mounting plate to be ordered separately.



Sol. 2



Suspension arm system

BEC CONTAINERS WITH HOLES FOR COUPLINGS ETR

PRODUCT CODE	DIMENSIONS (MM)			HANDLES ON	FIXED CLOSING SYSTEM ON	DRILLING TEMPLATE	ETR COUPLING FOR FIXING ONTO BEC CONTAINER		
	B	A	P				ETR060310	ETR060320	ETR060420
BEC3420B.TR1	300	400	200	ENCLOSURE	DOOR	TR1	ETR060310 ETR120310	ETR060320 ETR120320	ETR060420 ETR120410
BEC3420F.TR1	300	400	200	DOOR	ENCLOSURE	TR1	ETR060310 ETR120310	ETR060320 ETR120320	ETR060420 ETR120410
BEC4320B.TR1	400	300	200	ENCLOSURE	DOOR	TR1	ETR060310 ETR120310	ETR060320 ETR120320	ETR060420 ETR120410
BEC4320F.TR1	400	300	200	DOOR	ENCLOSURE	TR1	ETR060310 ETR120310	ETR060320 ETR120320	ETR060420 ETR120410
BEC4420B.TR1	400	400	200	ENCLOSURE	DOOR	TR1	ETR060310 ETR120310	ETR060320 ETR120320	ETR060420 ETR120410
BEC4420F.TR1	400	400	200	DOOR	ENCLOSURE	TR1	ETR060310 ETR120310	ETR060320 ETR120320	ETR060420 ETR120410
BEC5420B.TR1	500	400	200	ENCLOSURE	DOOR	TR1	ETR060310 ETR120310	ETR060320 ETR120320	ETR060420 ETR120410
BEC5420F.TR1	500	400	200	DOOR	ENCLOSURE	TR1	ETR060310 ETR120310	ETR060320 ETR120320	ETR060420 ETR120410
BEC5520B.TR1	500	500	200	ENCLOSURE	DOOR	TR1	ETR060310 ETR120310	ETR060320 ETR120320	ETR060420 ETR120410
BEC5520F.TR1	500	500	200	DOOR	ENCLOSURE	TR1	ETR060310 ETR120310	ETR060320 ETR120320	ETR060420 ETR120410
BEC6620B.TR1	600	600	200	ENCLOSURE	DOOR	TR1	ETR060310 ETR120310	ETR060320 ETR120320	ETR060420 ETR120410
BEC6620F.TR1	600	600	200	DOOR	ENCLOSURE	TR1	ETR060310 ETR120310	ETR060320 ETR120320	ETR060420 ETR120410
BEC3420B.TR2	300	400	200	ENCLOSURE	DOOR	TR2	ETR060400	ETR060410	
BEC3420F.TR2	300	400	200	DOOR	ENCLOSURE	TR2	ETR060400	ETR060410	
BEC4320B.TR2	400	300	200	ENCLOSURE	DOOR	TR2	ETR060400	ETR060410	
BEC4320F.TR2	400	300	200	DOOR	ENCLOSURE	TR2	ETR060400	ETR060410	
BEC4420B.TR2	400	400	200	ENCLOSURE	DOOR	TR2	ETR060400	ETR060410	
BEC4420F.TR2	400	400	200	DOOR	ENCLOSURE	TR2	ETR060400	ETR060410	
BEC5420B.TR2	500	400	200	ENCLOSURE	DOOR	TR2	ETR060400	ETR060410	
BEC5420F.TR2	500	400	200	DOOR	ENCLOSURE	TR2	ETR060400	ETR060410	
BEC5520B.TR2	500	500	200	ENCLOSURE	DOOR	TR2	ETR060400	ETR060410	
BEC5520F.TR2	500	500	200	DOOR	ENCLOSURE	TR2	ETR060400	ETR060410	
BEC6620B.TR2	600	600	200	ENCLOSURE	DOOR	TR2	ETR060400	ETR060410	
BEC6620F.TR2	600	600	200	DOOR	ENCLOSURE	TR2	ETR060400	ETR060410	

Suspension arm system

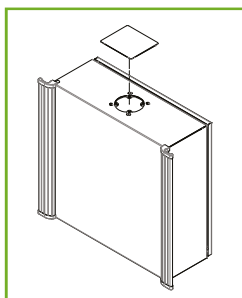
BEC CONTAINERS WITH HOLES FOR COUPLINGS ETR

PRODUCT CODE	DIMENSIONS (MM)			HANDLES ON	FIXED CLOSING SYSTEM ON	DRILLING TEMPLATE	ETR COUPLING FOR FIXING ONTO BEC CONTAINER
	B	A	P				
BEC3420B.TR3	300	400	200	ENCLOSURE	DOOR	TR3	ETR045310 ETR045320
BEC3420F.TR3	300	400	200	DOOR	ENCLOSURE	TR3	ETR045310 ETR045320
BEC4320B.TR3	400	300	200	ENCLOSURE	DOOR	TR3	ETR045310 ETR045320
BEC4320F.TR3	400	300	200	DOOR	ENCLOSURE	TR3	ETR045310 ETR045320
BEC4420B.TR3	400	400	200	ENCLOSURE	DOOR	TR3	ETR045310 ETR045320
BEC4420F.TR3	400	400	200	DOOR	ENCLOSURE	TR3	ETR045310 ETR045320
BEC5420B.TR3	500	400	200	ENCLOSURE	DOOR	TR3	ETR045310 ETR045320
BEC5420F.TR3	500	400	200	DOOR	ENCLOSURE	TR3	ETR045310 ETR045320
BEC5520B.TR3	500	500	200	ENCLOSURE	DOOR	TR3	ETR045310 ETR045320
BEC5520F.TR3	500	500	200	DOOR	ENCLOSURE	TR3	ETR045310 ETR045320
BEC6620B.TR3	600	600	200	ENCLOSURE	DOOR	TR3	ETR045310 ETR045320
BEC6620F.TR3	600	600	200	DOOR	ENCLOSURE	TR3	ETR045310 ETR045320

BEC CONTAINER WITH HOLES FOR BQPA COUPLINGS AND BEC BLANK CONTAINERS

BEC CONTAINERS WITH HOLES CODE FOR BQPA COUPLINGS	BEC BLANK CONTAINERS CODE	DIMENSIONS (MM)			HANDLES ON	FIXED CLOSING SYSTEM ON
		B	A	P		
BEC3420B	BEC3420B.C	300	400	200	ENCLOSURE	DOOR
BEC3420F	BEC3420F.C	300	400	200	DOOR	ENCLOSURE
BEC4320B	BEC4320B.C	400	300	200	ENCLOSURE	DOOR
BEC4320F	BEC4320F.C	400	300	200	DOOR	ENCLOSURE
BEC4420B	BEC4420B.C	400	400	200	ENCLOSURE	DOOR
BEC4420F	BEC4420F.C	400	400	200	DOOR	ENCLOSURE
BEC5420B	BEC5420B.C	500	400	200	ENCLOSURE	DOOR
BEC5420F	BEC5420F.C	500	400	200	DOOR	ENCLOSURE
BEC5520B	BEC5520B.C	500	500	200	ENCLOSURE	DOOR
BEC5520F	BEC5520F.C	500	500	200	DOOR	ENCLOSURE
BEC6620B	BEC6620B.C	600	600	200	ENCLOSURE	DOOR
BEC6620F	BEC6620F.C	600	600	200	DOOR	ENCLOSURE

Suspension arm system



BLANK PLATE

Manufactured from painted sheet steel. Designed to close the punching dedicated to BQPA or ETR pendant arm system on BEC housing.
Includes nr. 1 piece with mounting accessories.

BLANK PLATE	
PRODUCT CODE	COMPATIBLE WITH DRILL TEMPLATE
BQB001	BQPA
BQB00TR1	TR1
BQB00TR2	TR2 - TR3

SPARE HANDLE BECMA

Including assembly accessories.

- BECMA300 for H=300
- BECMA400 for H=400
- BECMA500 for H=500
- BECMA600 for H=600

LOCKING SYSTEMS


E COR locking systems only compatible with container version 2; E COR inserts always compatible, even with closure on the casing.

Cf. pag. 179.



DOOR STOP ECWA0001

Allows the door to be mechanically stopped at 90°, 100° or 110° (complying to the machining on the housing), in order to prevent accidental closure.
Made from galvanised sheet steel.
Single piece complete with mounting accessories.

 Enclosure and door machining required: indicate when ordering if requested from the supplier.

MOUNTING PLATE BECPA

Made from sendzimir sheet steel. Order the plate regulation profile separately BECPROF200.

MOUNTING PLATE		
PRODUCT CODICE	HOUSING DIMENSIONS	
	WIDTH	HEIGHT
BECPA030040	300	400
BECPA040030	400	300
BECPA040040	400	400
BECPA050040	500	400
BECPA050050	500	500
BECPA060060	600	600